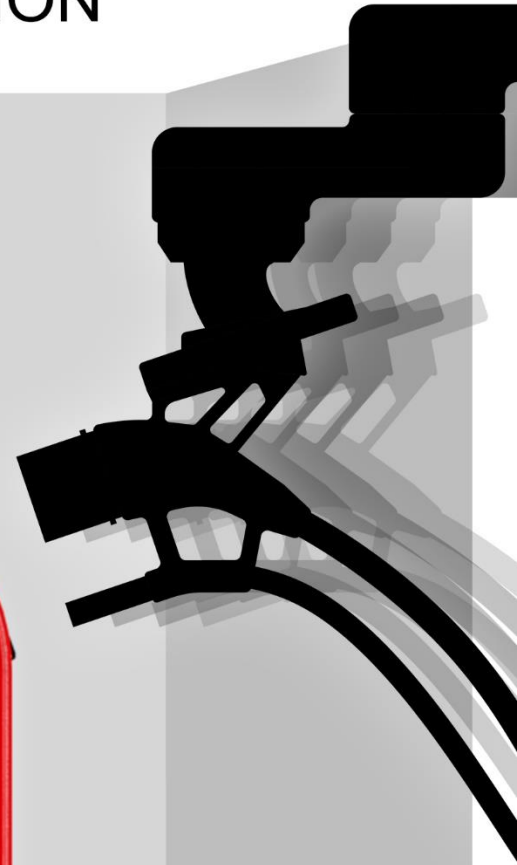


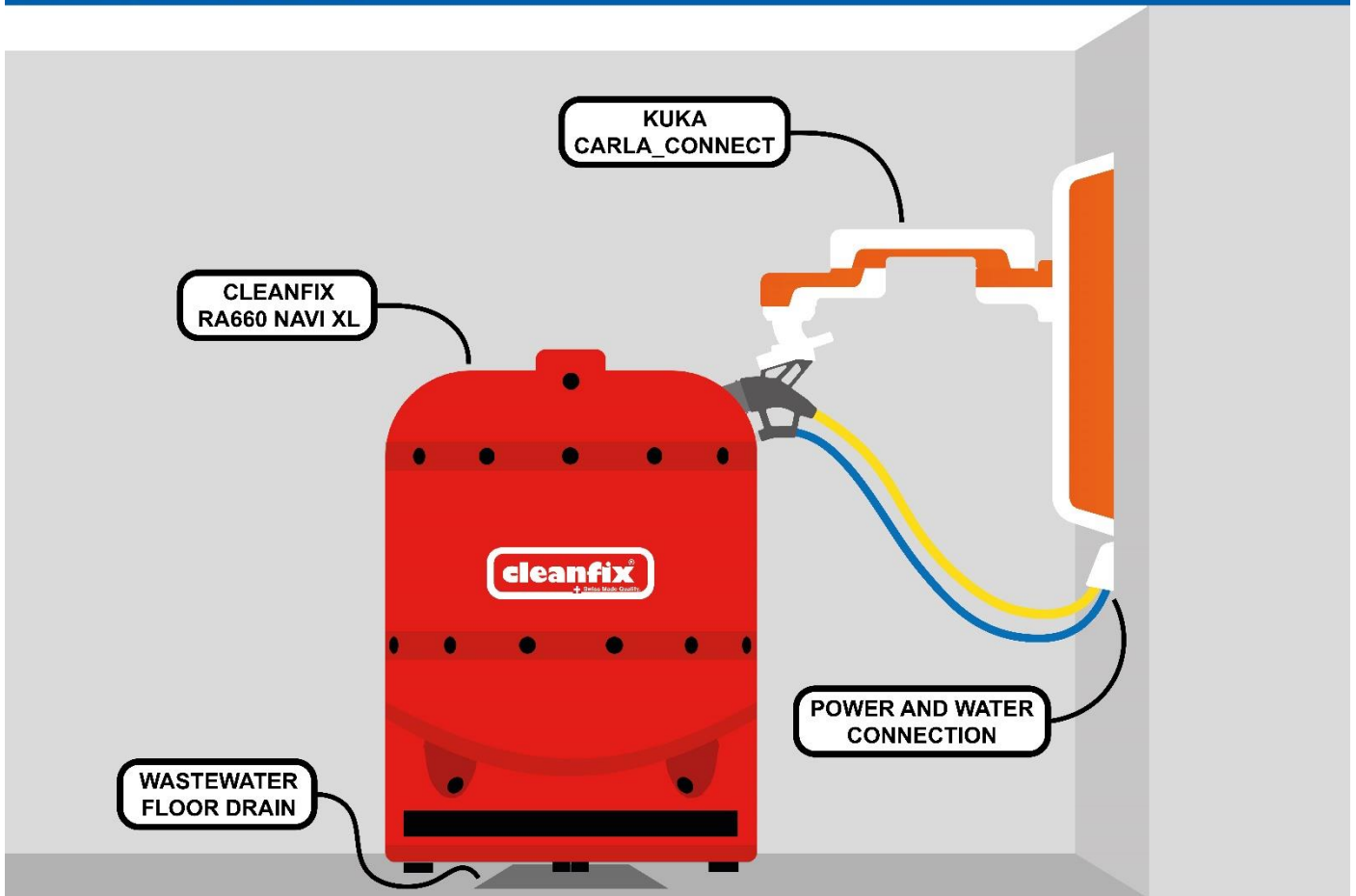
RA660 NAVI XL

AUTONOMOUS DOCKING STATION



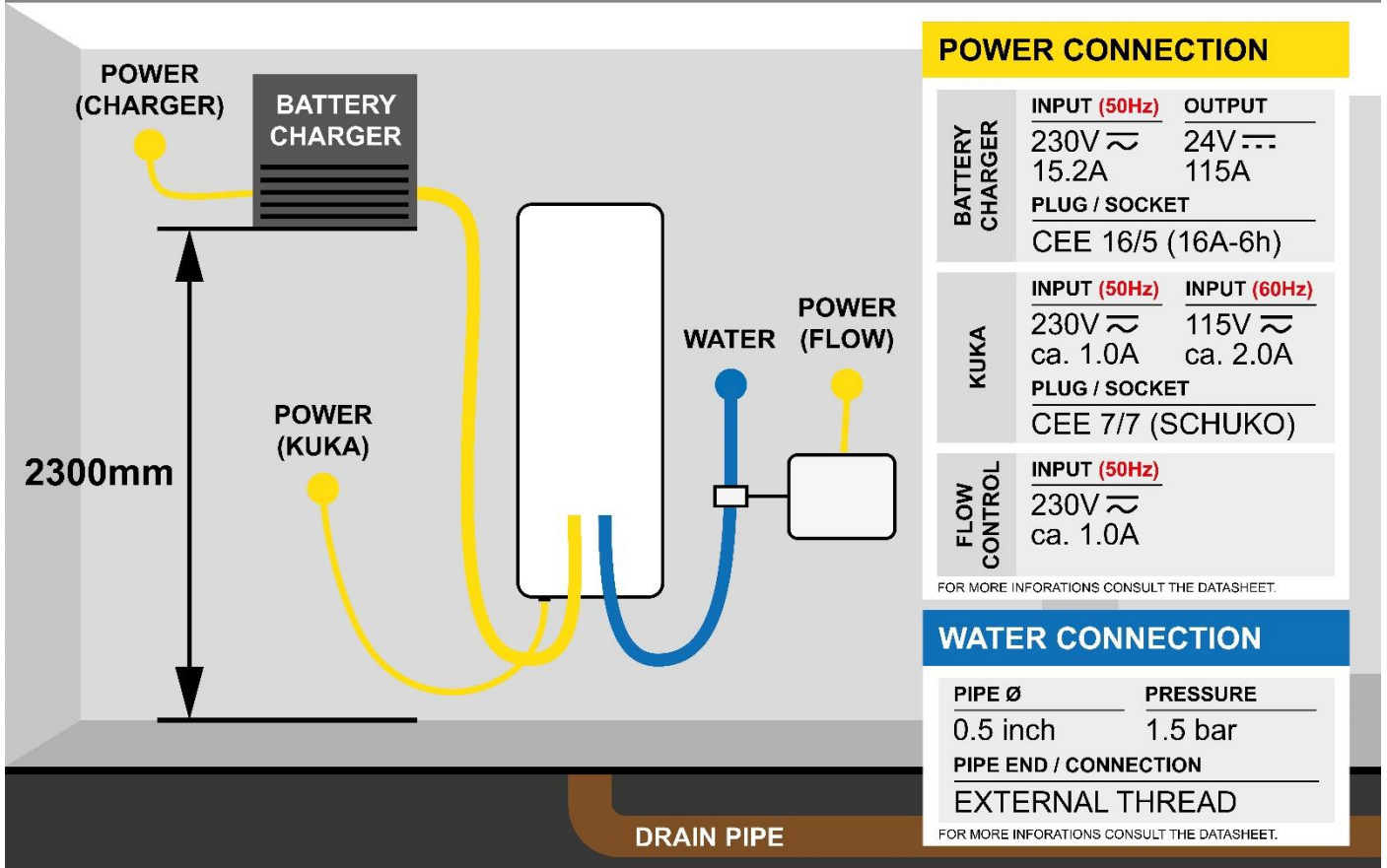
INSTALLATION GUIDE

SYSTEM OVERVIEW

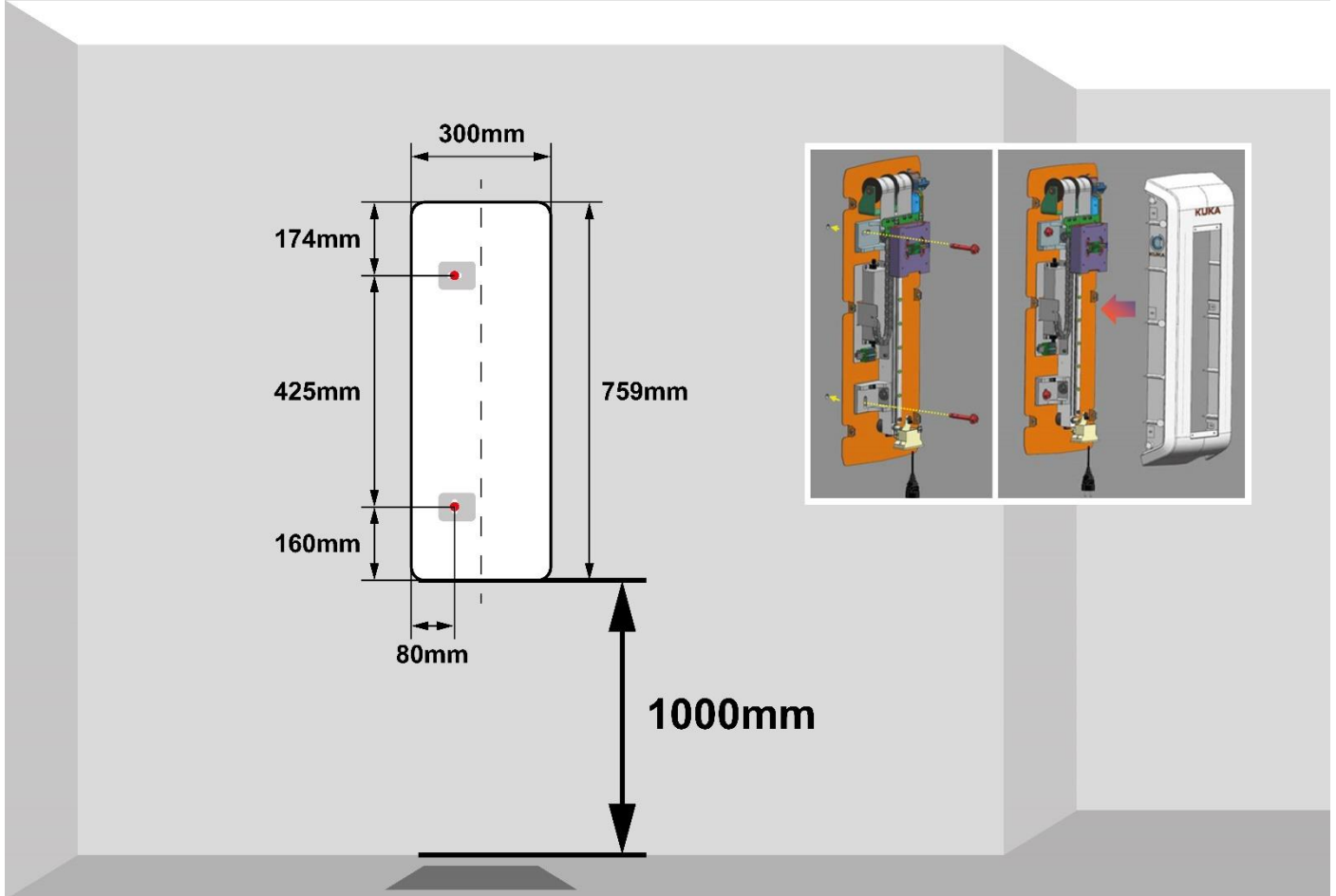


INSTALLATION: CHARGING AND WATER REFILL ROBOT

NEEDED POWER AND WATER CONNECTIONS

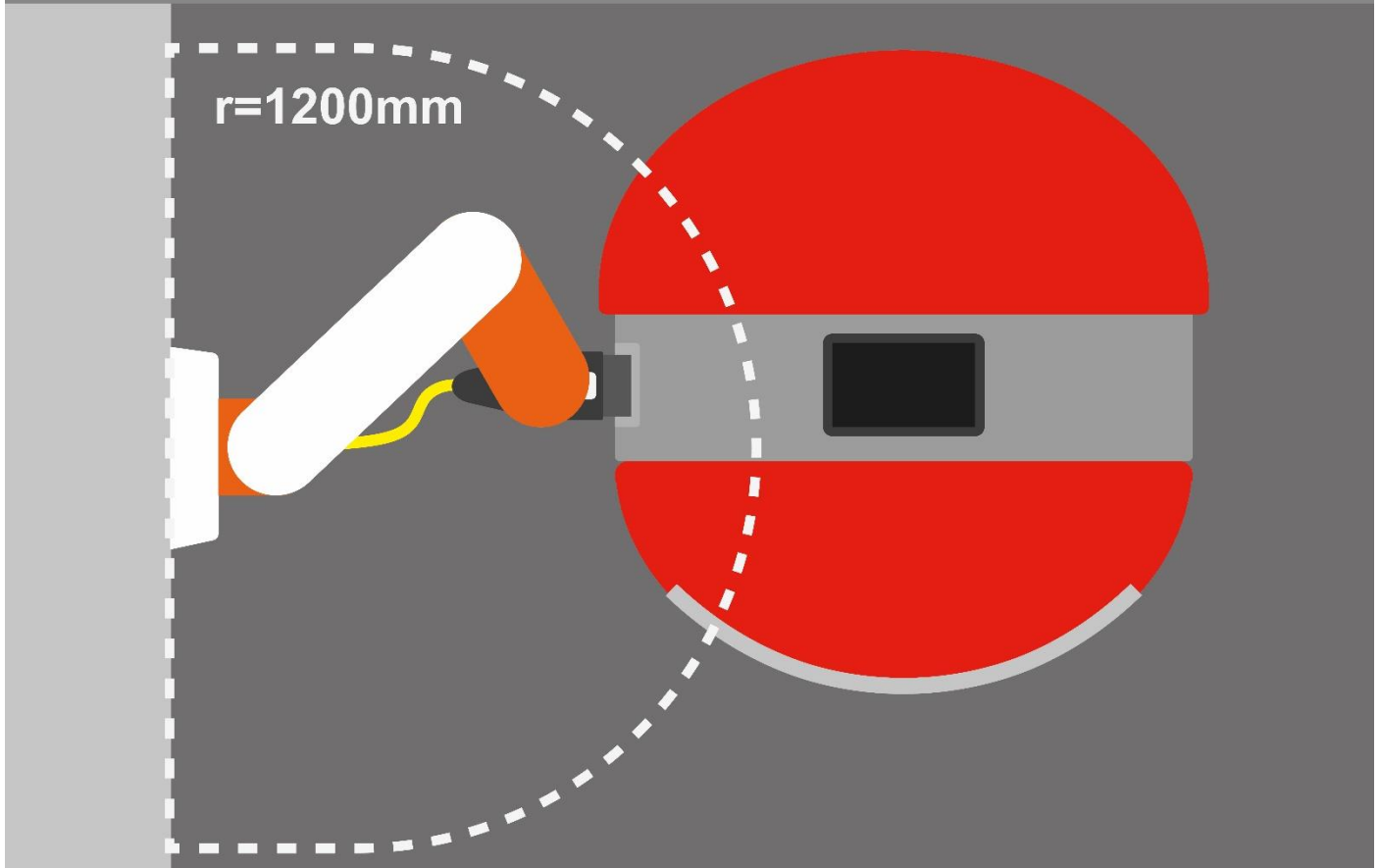


DRILLING PLAN AND MOUNTING HEIGHT



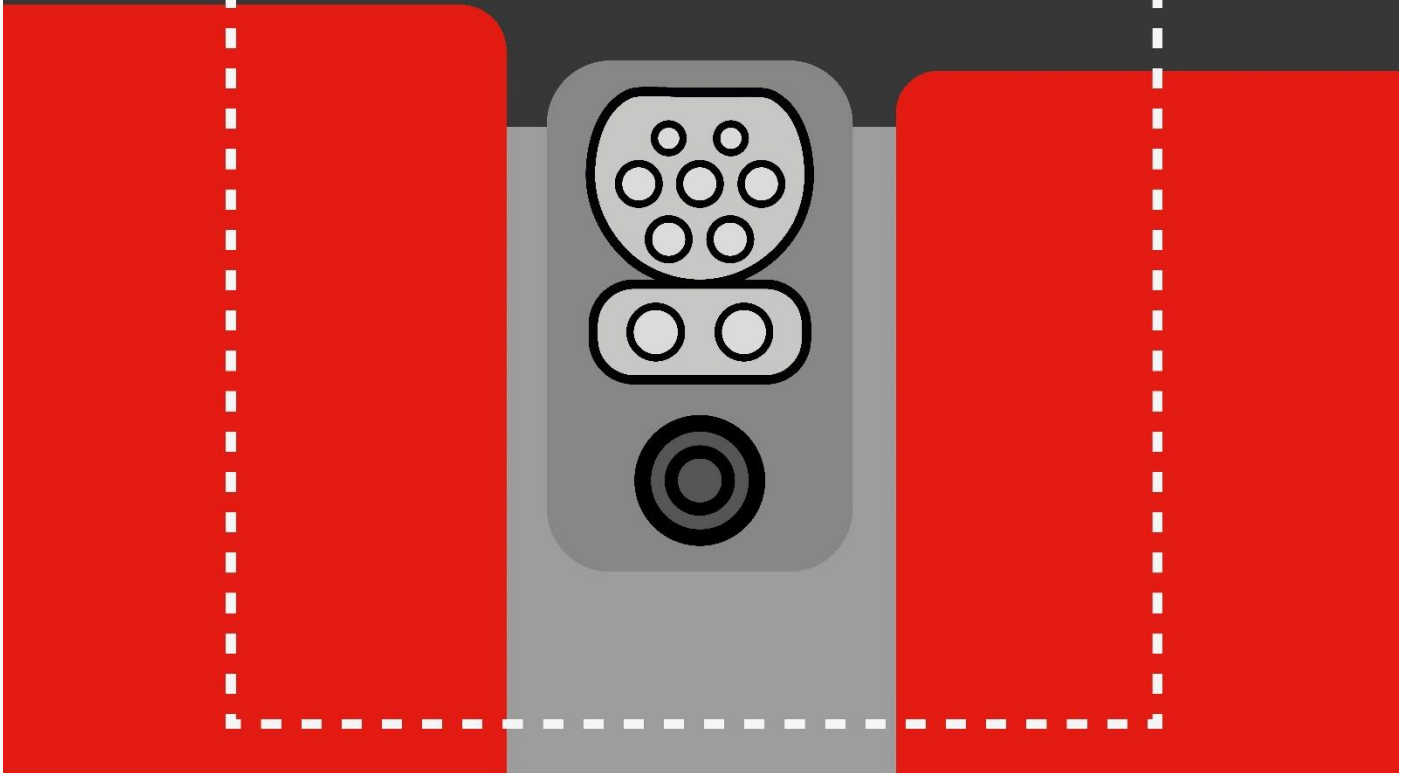
WORKING AREA AND TOLERANCES

MAXIMUM WORKING AREA

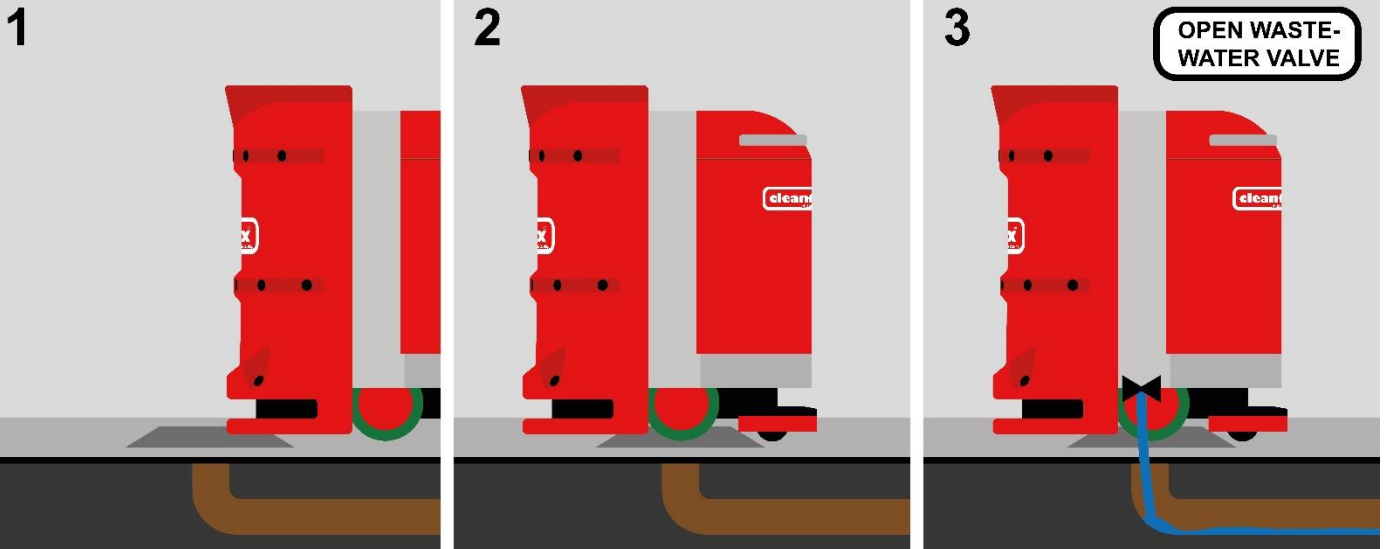


PLUGGING TOLERANCE

200x200x200mm



WASTEWATER FLOOR DRAIN

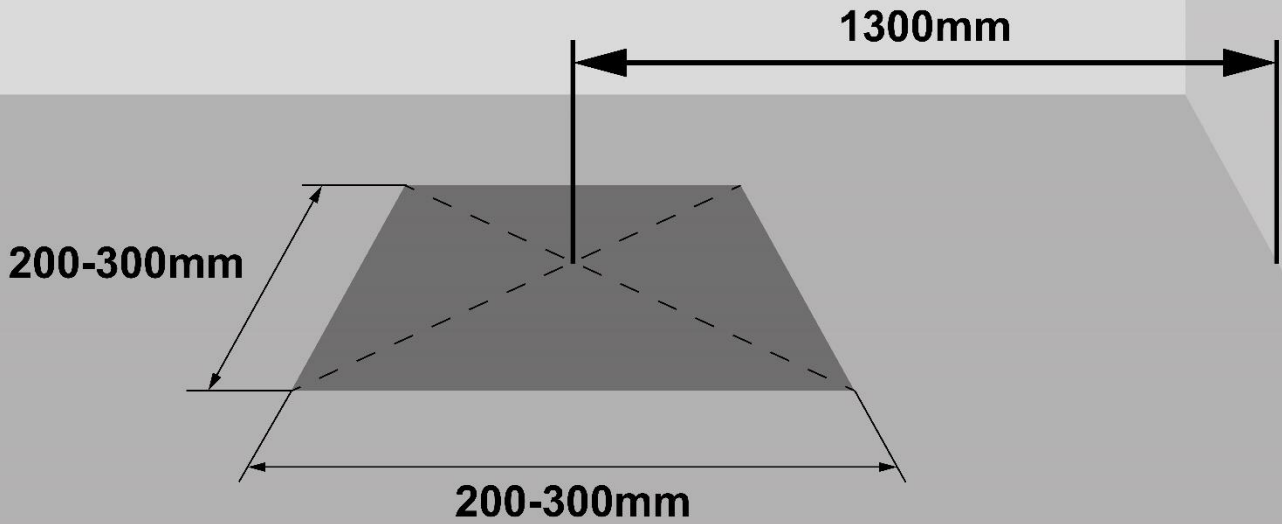


BUILT-IN

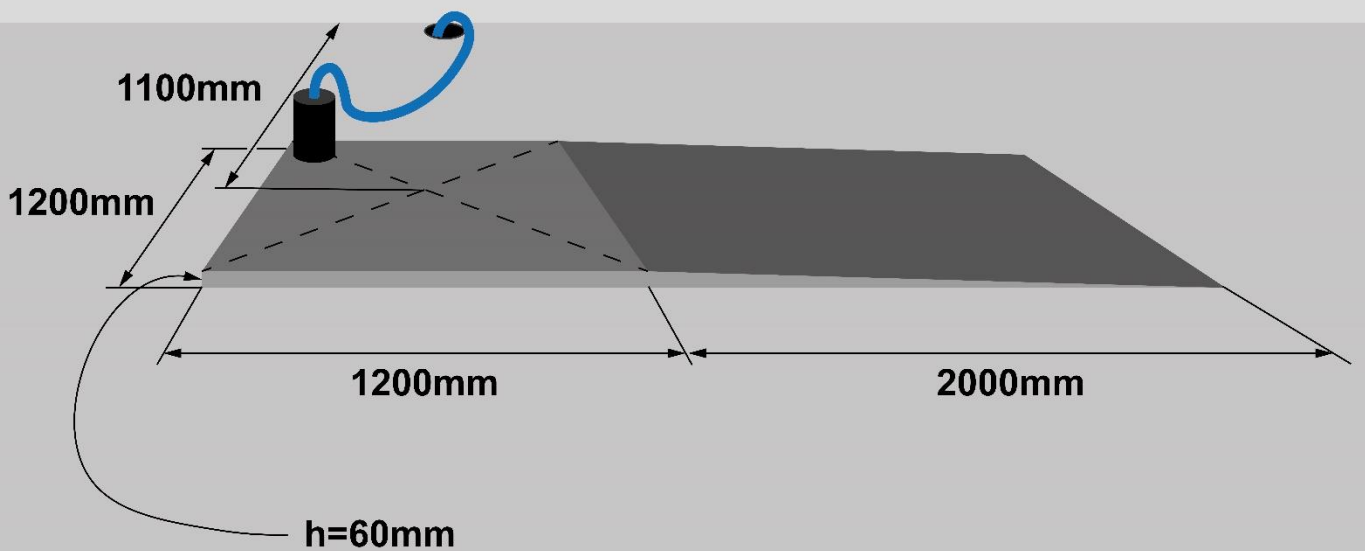
BUILT-ON (WITH PUMP)



DIMENSIONS: BUILT-IN VERSION

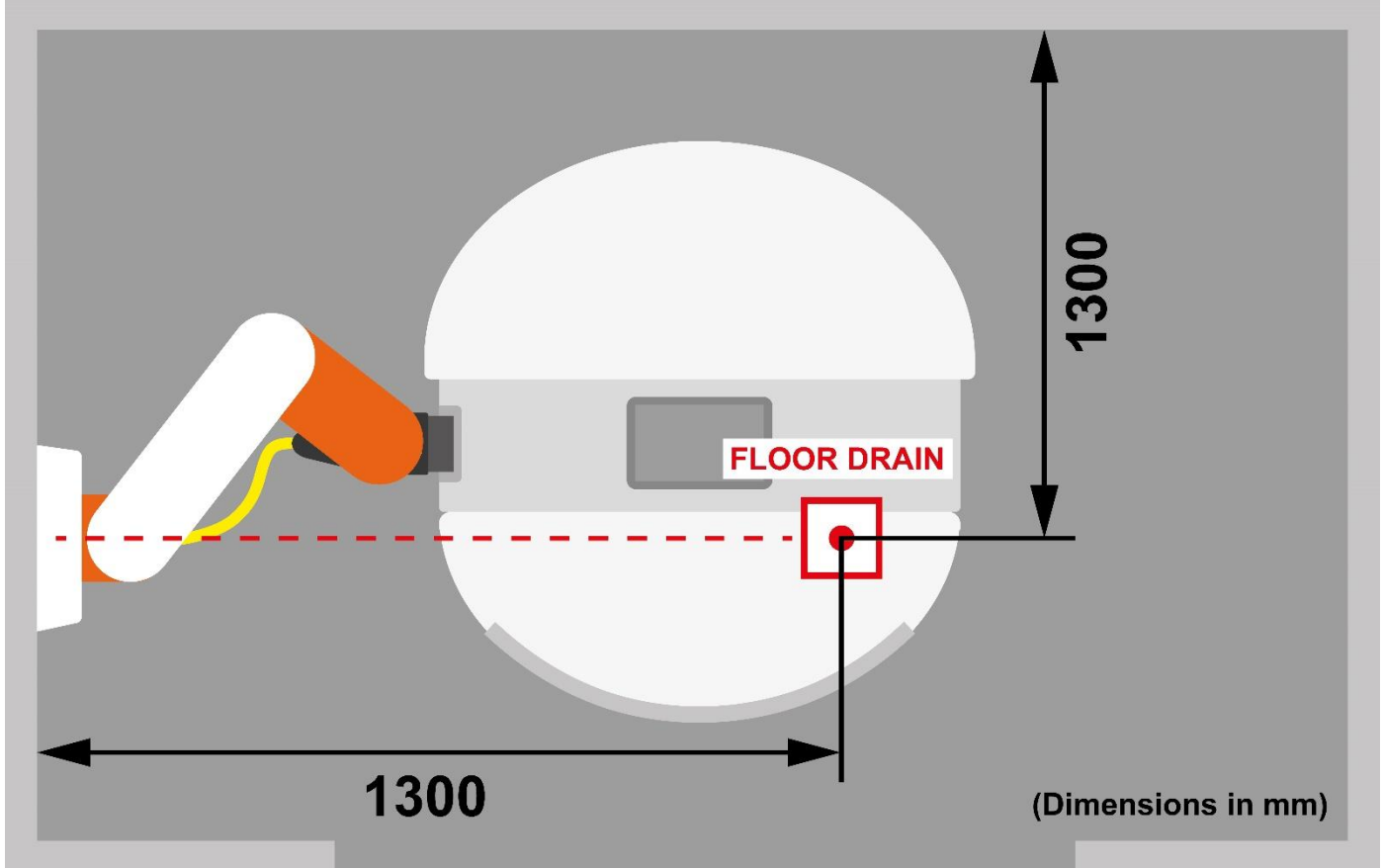


DIMENSIONS: BUILT-ON VERSION

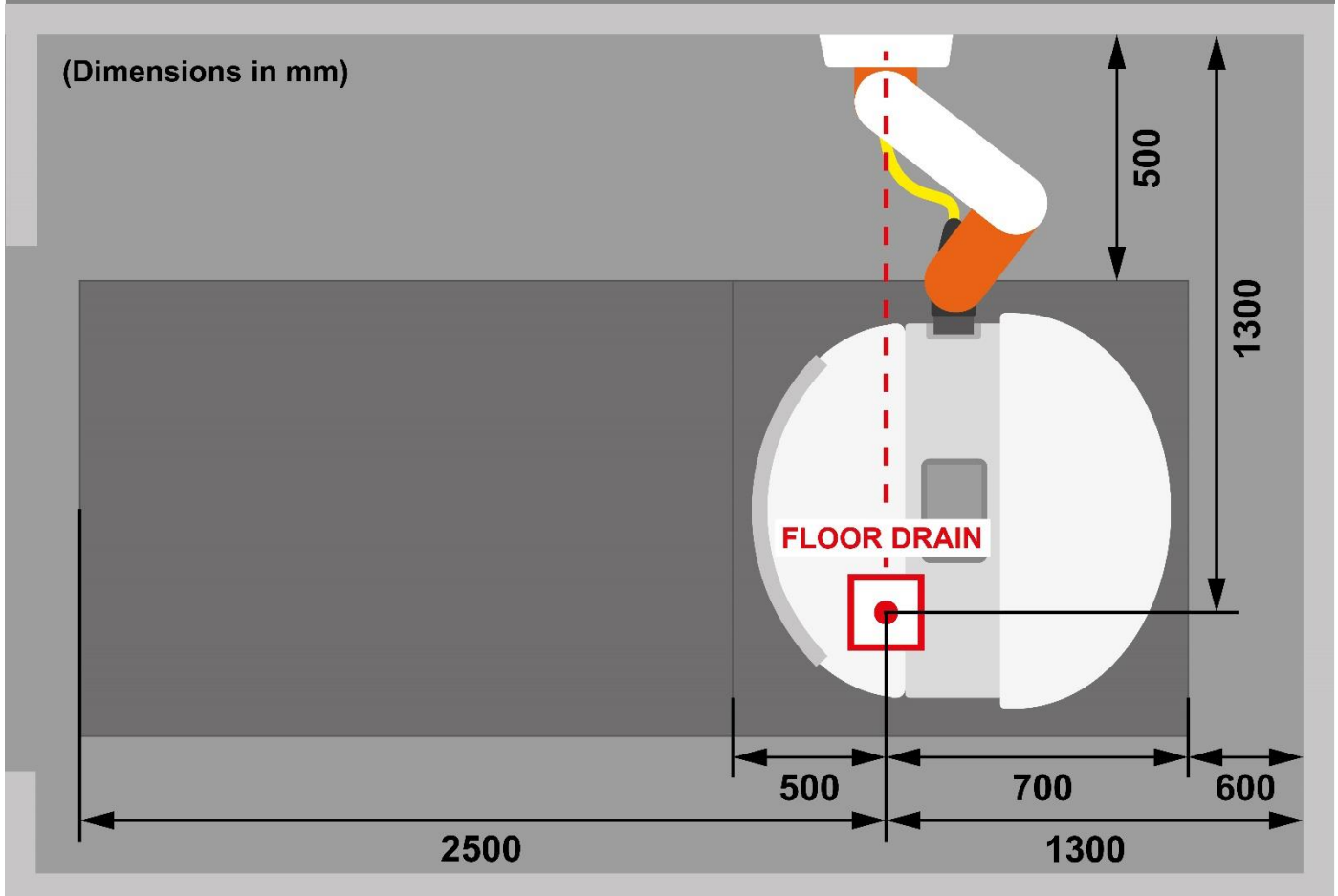


PARKGARAGE

DIMENSIONS: BUILT-IN FLOOR DRAIN



DIMENSIONS: BUILT-ON FLOOR DRAIN



Cleanfix Reinigungssysteme AG
Stettenstrasse 15
CH-9247 Henau-Uzwil/SG
Tel. +41 71 955 47 47
info@cleanfix.com

 **SWISS MADE QUALITY**