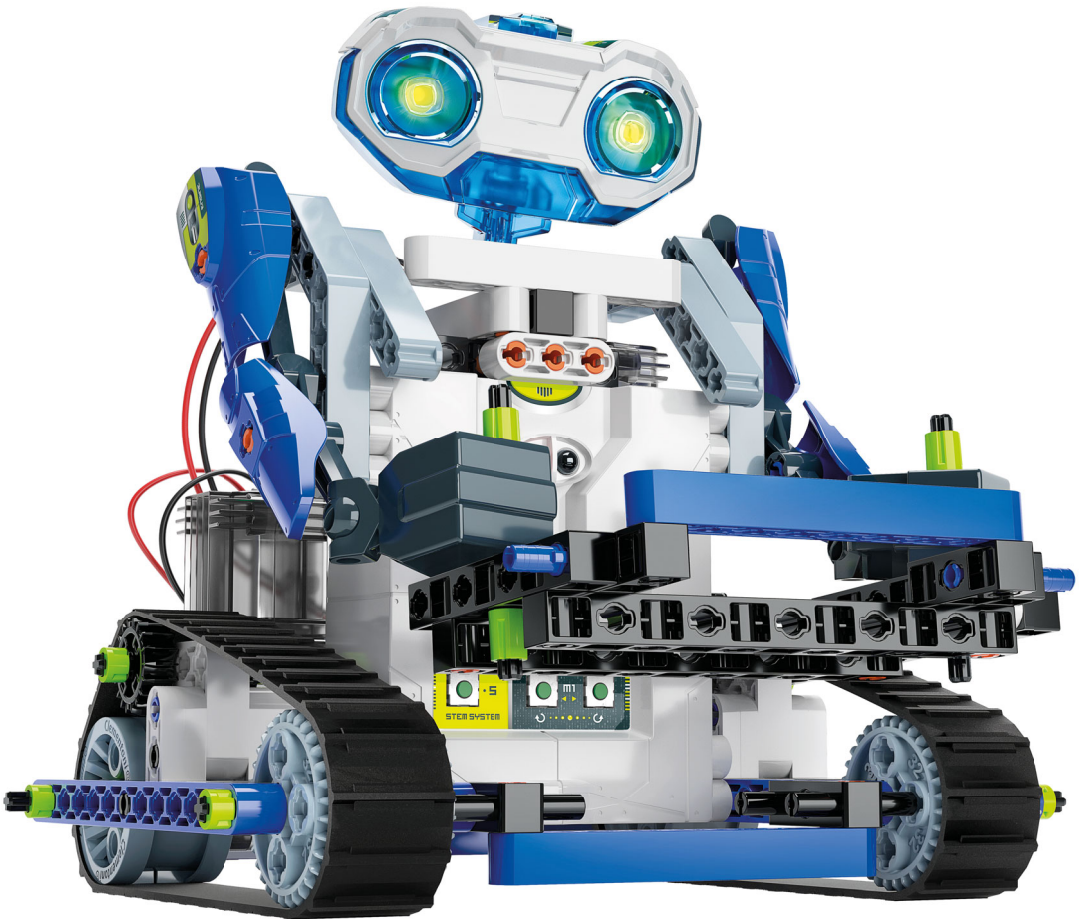


coding
lab

RoboMaker[®]

8+



advanced

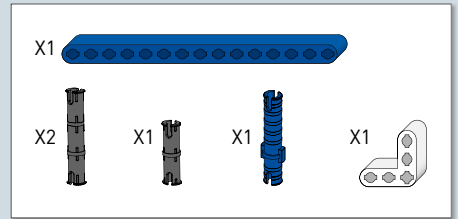
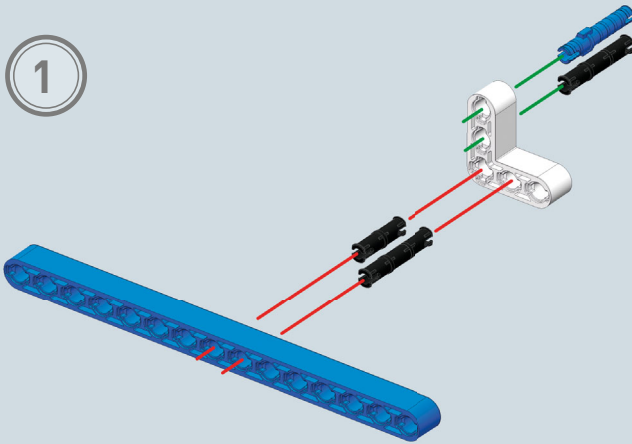
 **Clementoni[®]**

X2 - ELEVATOR

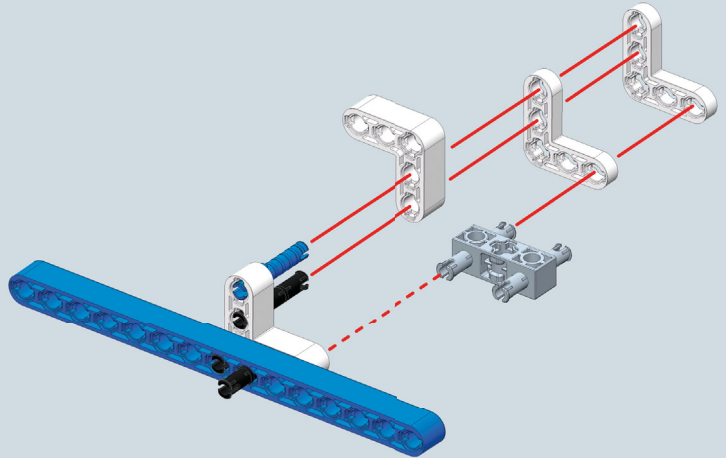
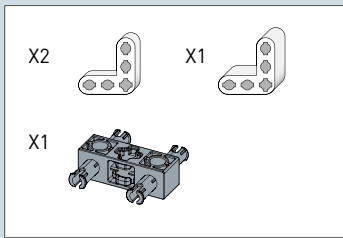
ACTIVITY 1



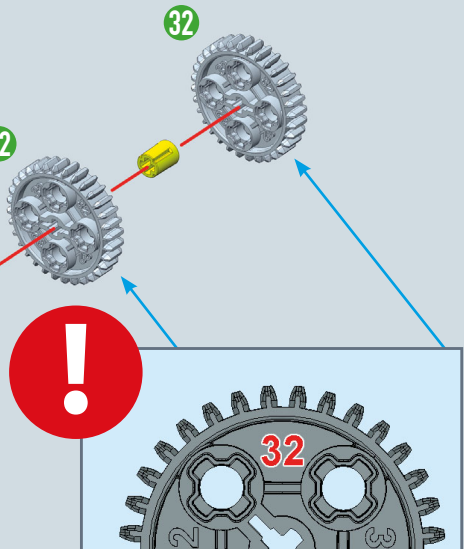
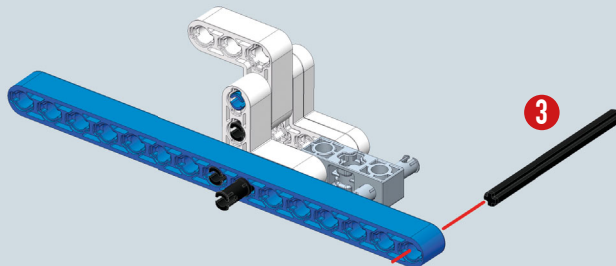
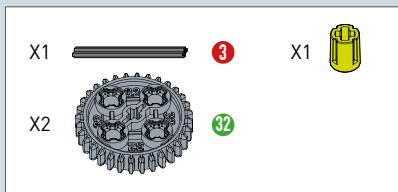
1



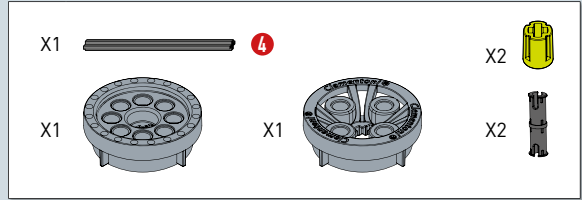
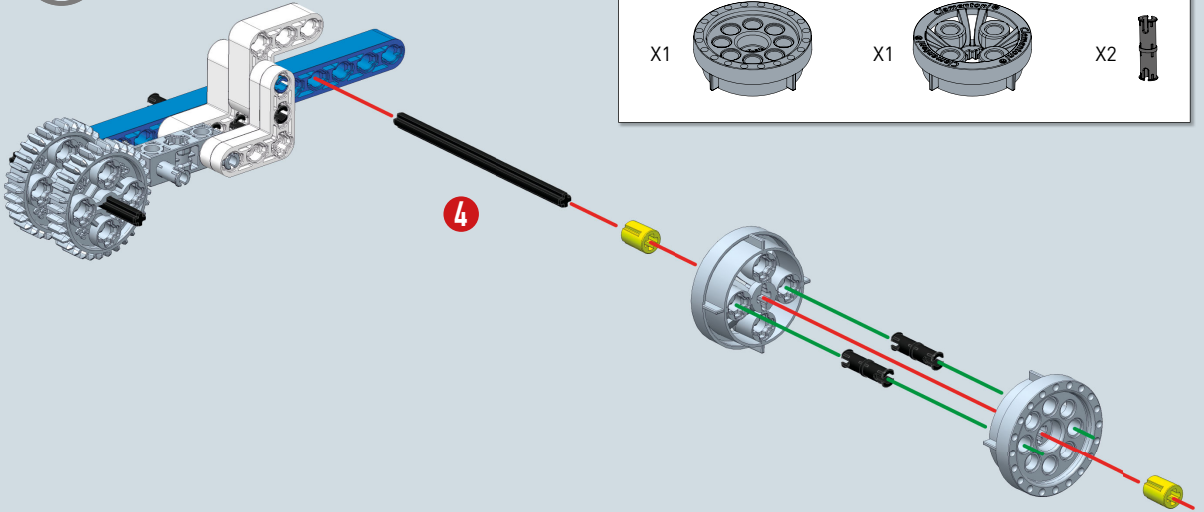
2



3

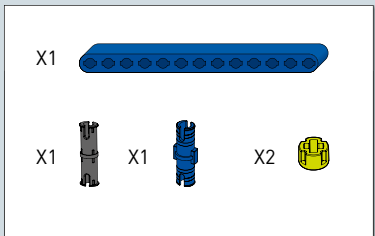
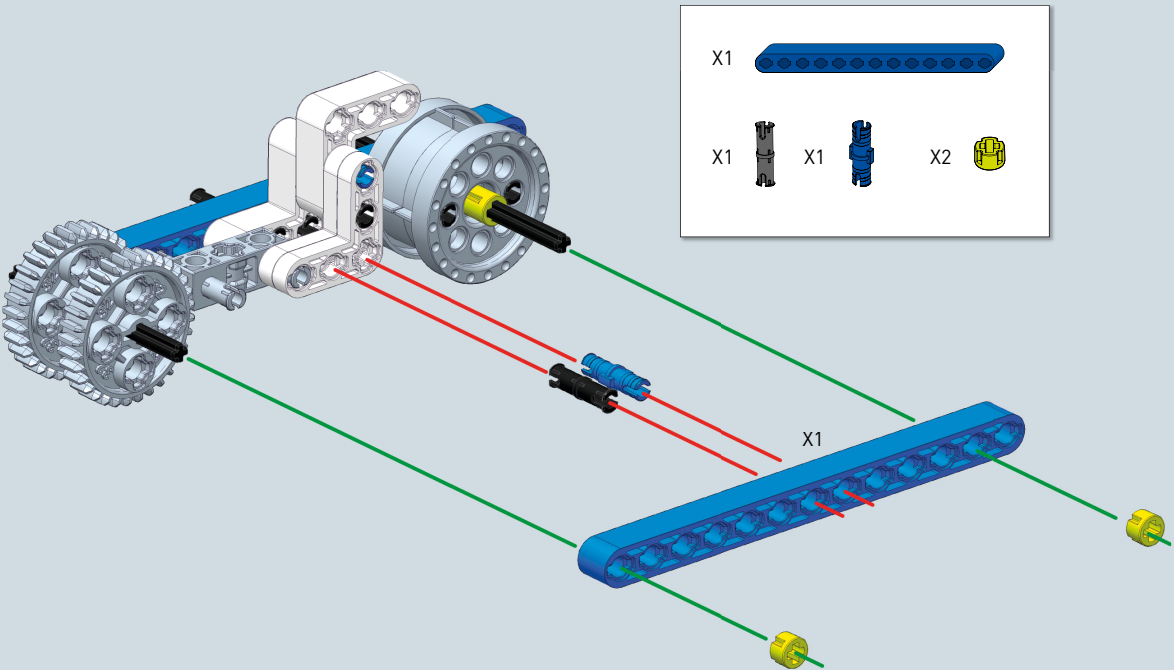


4



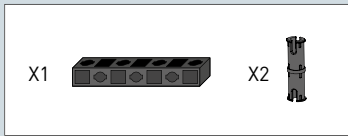
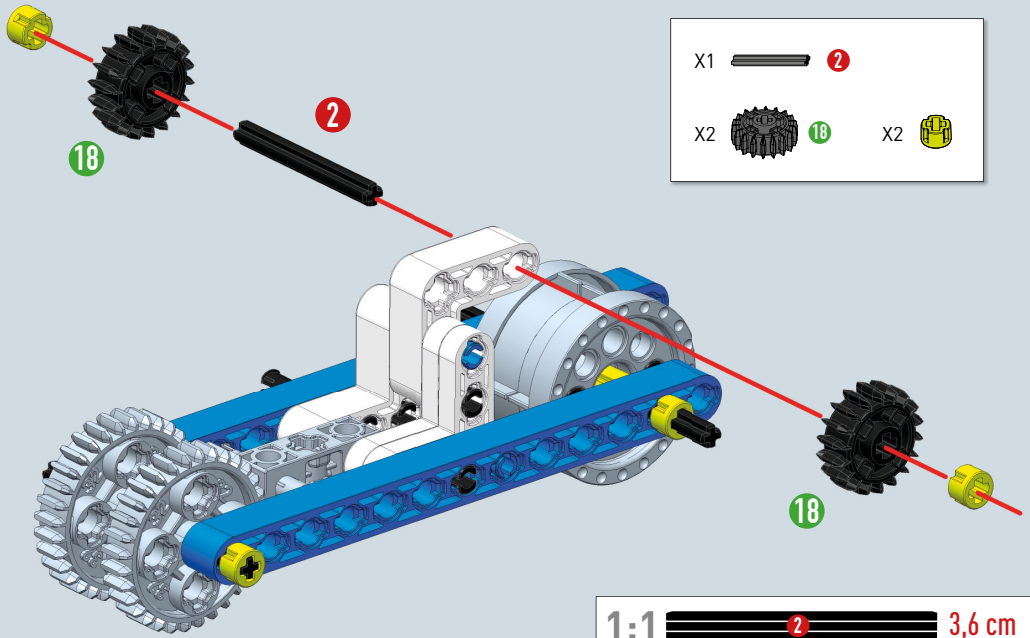
1:1  7,2 cm

5

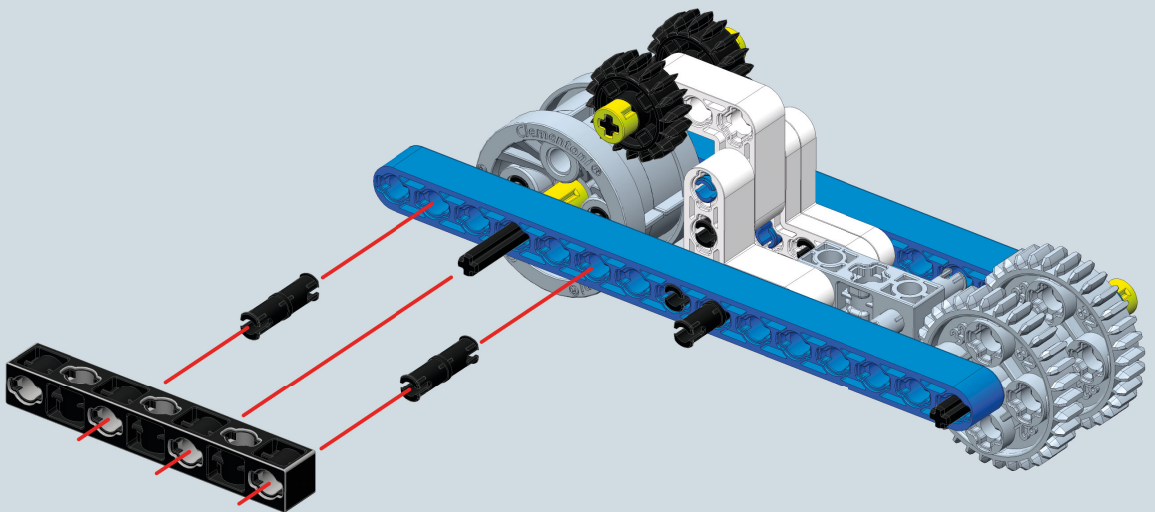


4

6



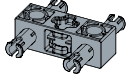


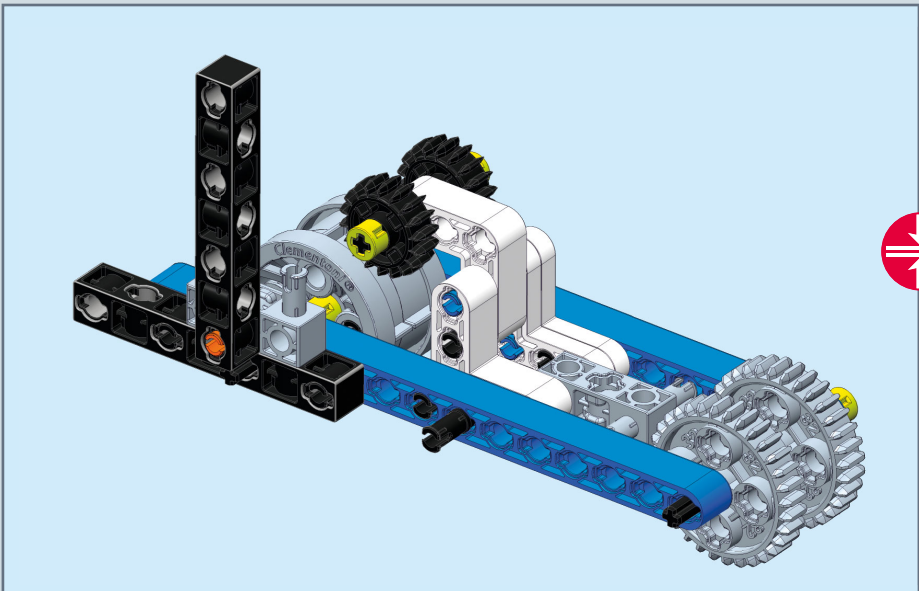
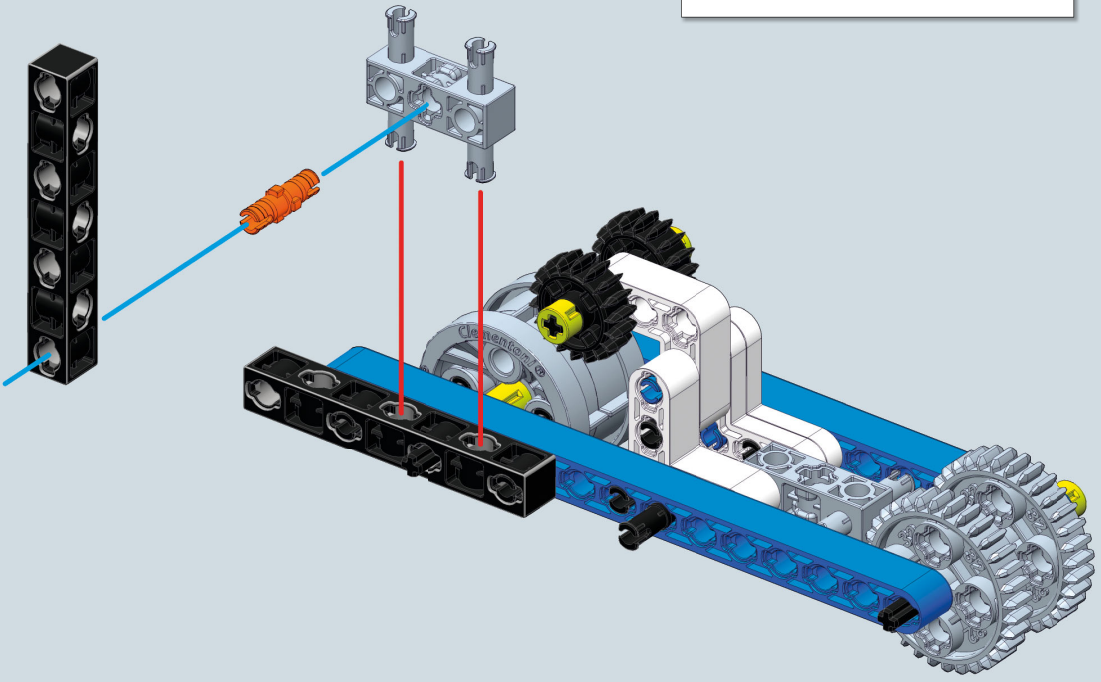
7



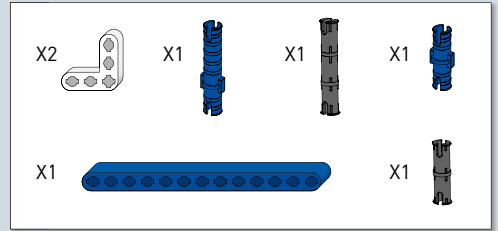
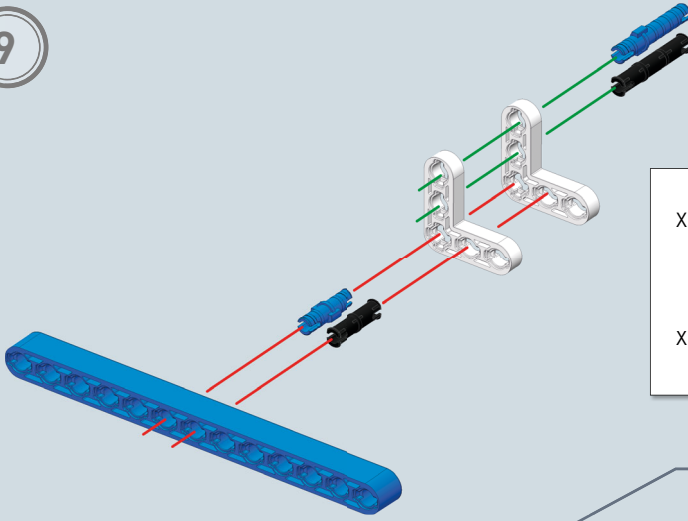
5

8

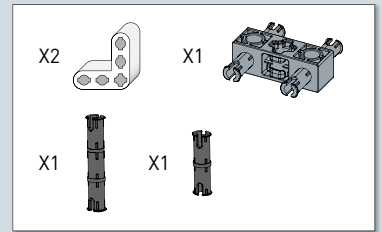
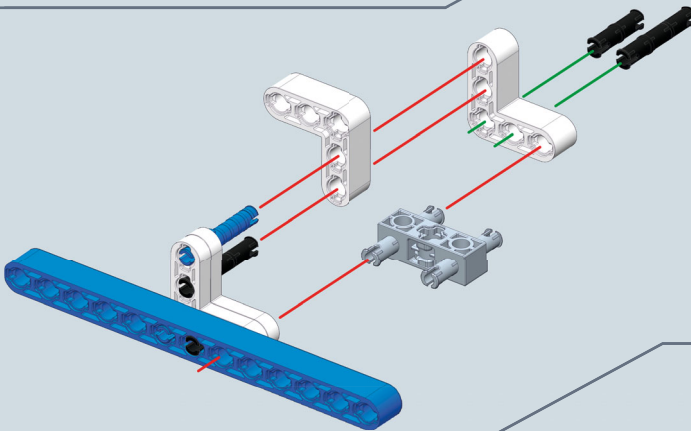
- X1  X1 
- X1 



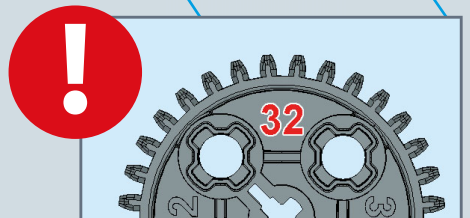
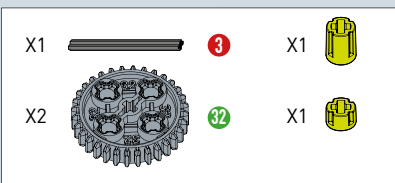
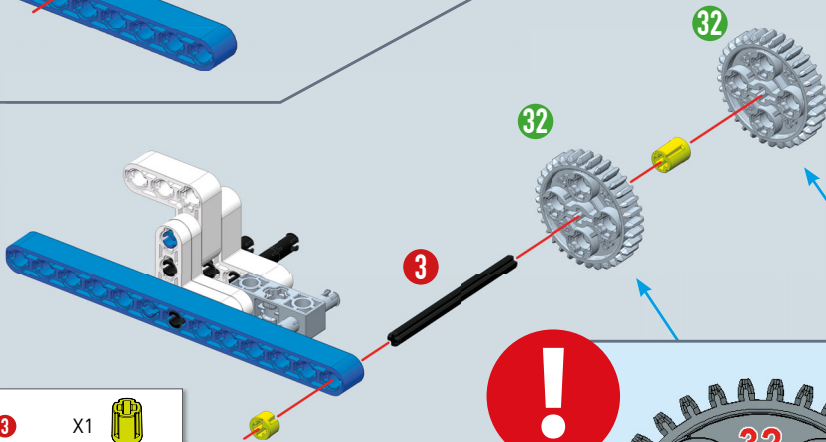
9



10

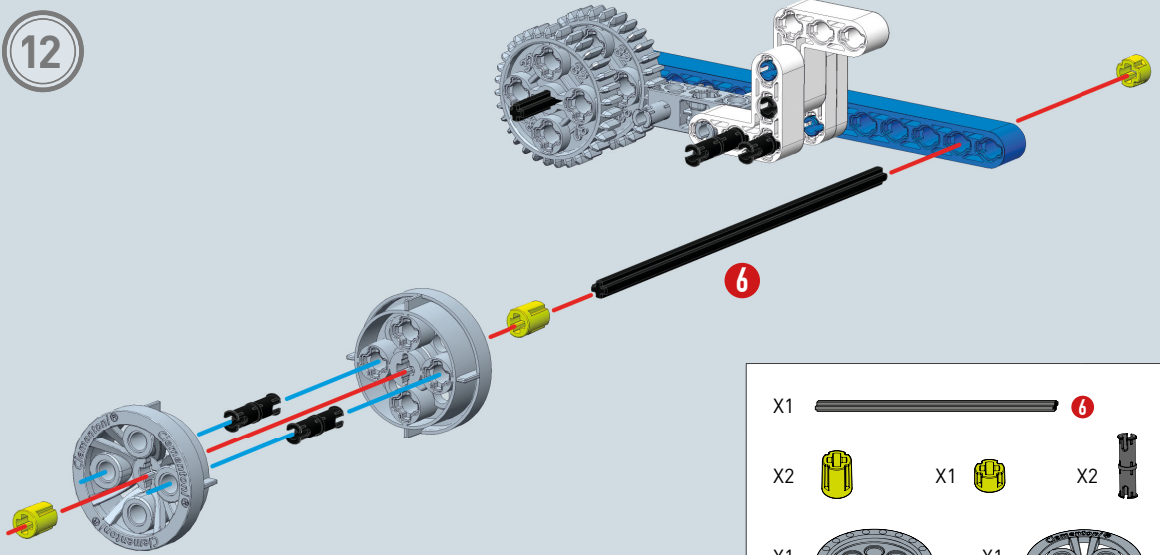


11




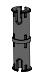
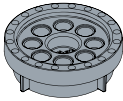
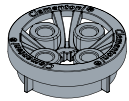


7

12



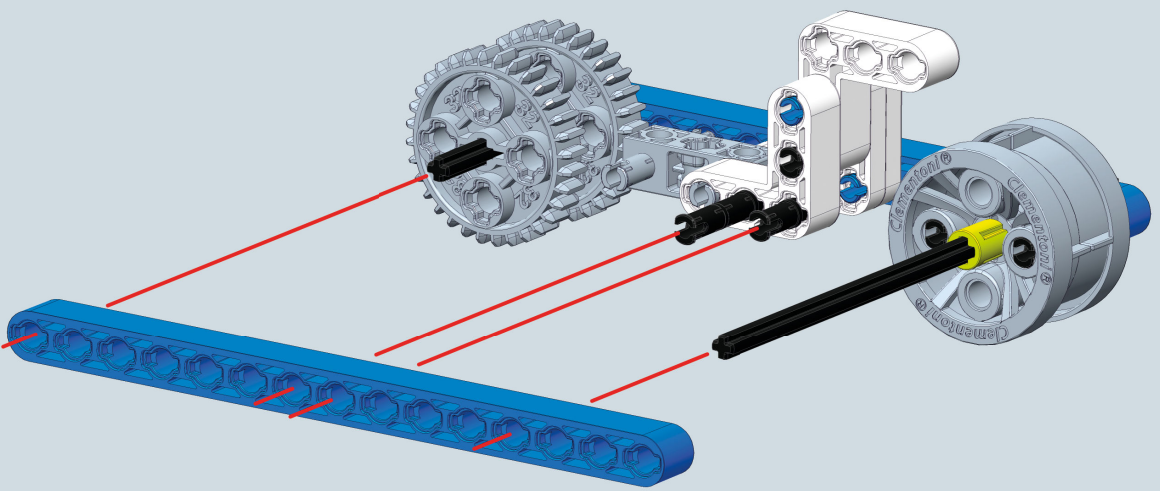
6

- X1  6
- X2  X1  X2 
- X1  X1 

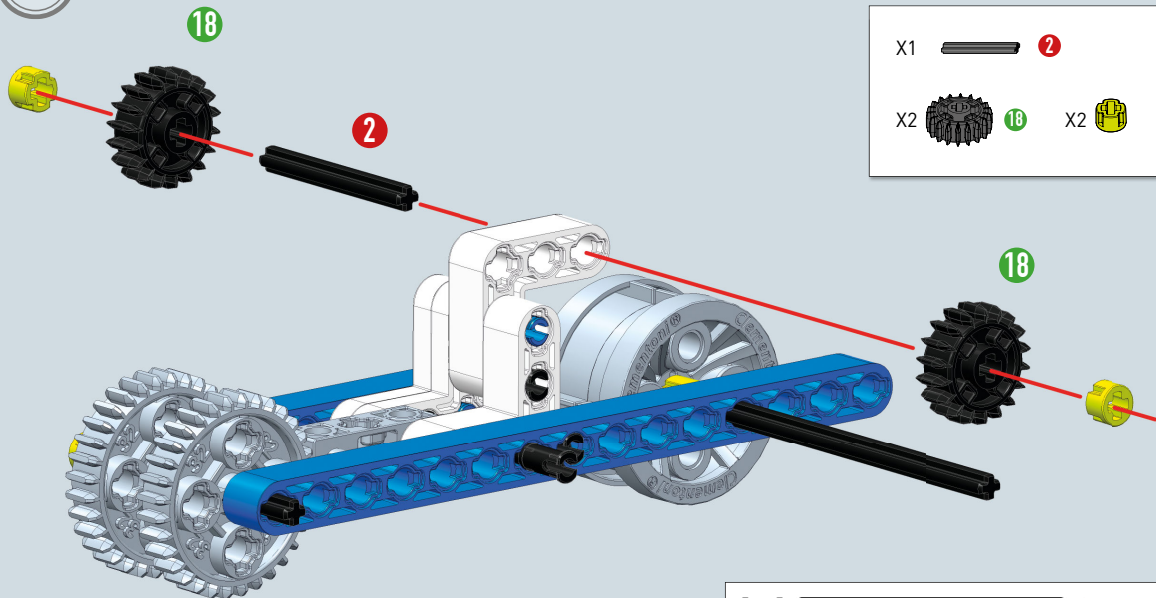
1:1  11,7 cm

13

- X1 



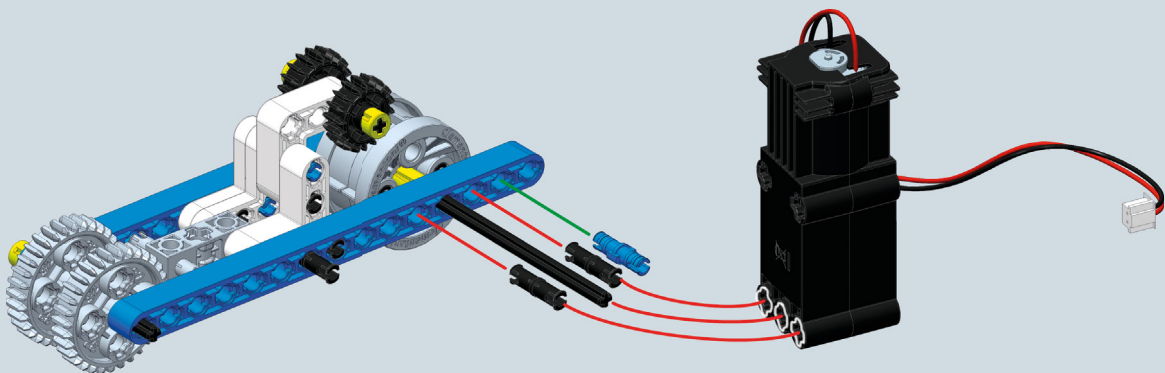
14



- X1 2
- X2 18
- X2

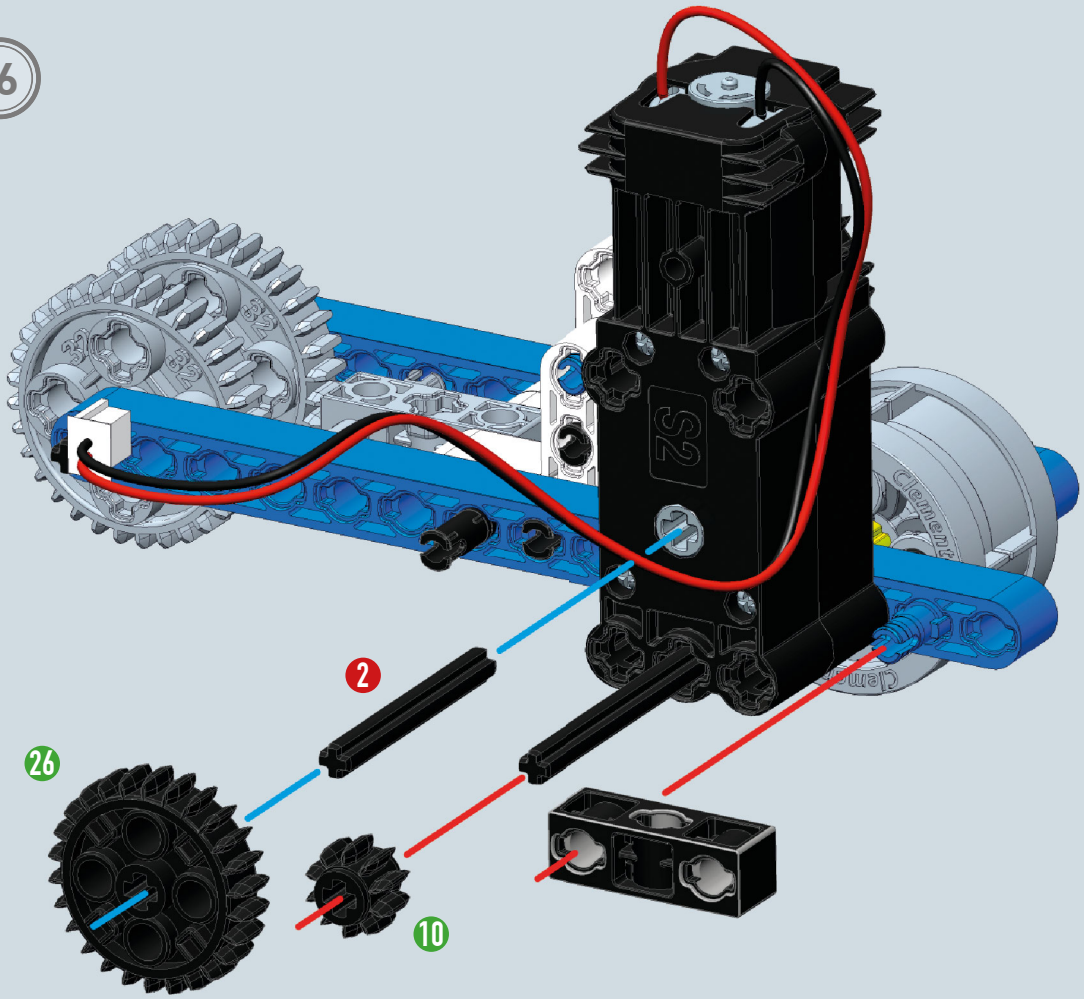
1:1 3,6 cm

15

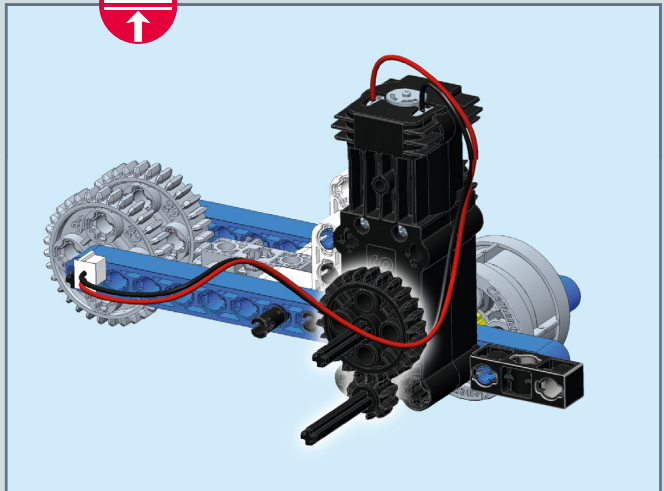


- X1
- X2
- X1

16

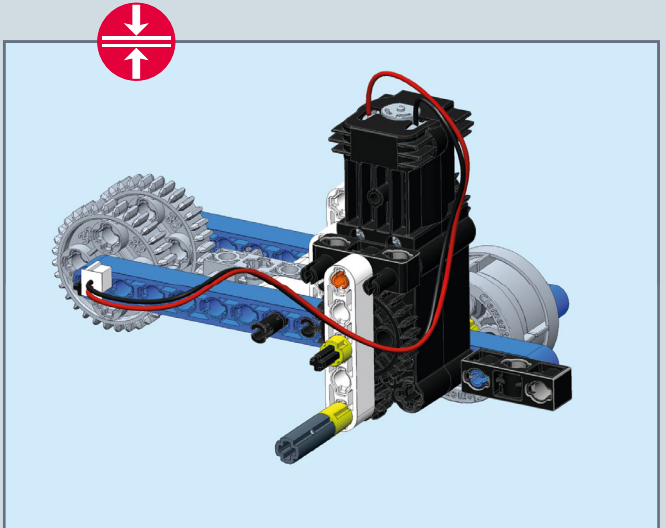
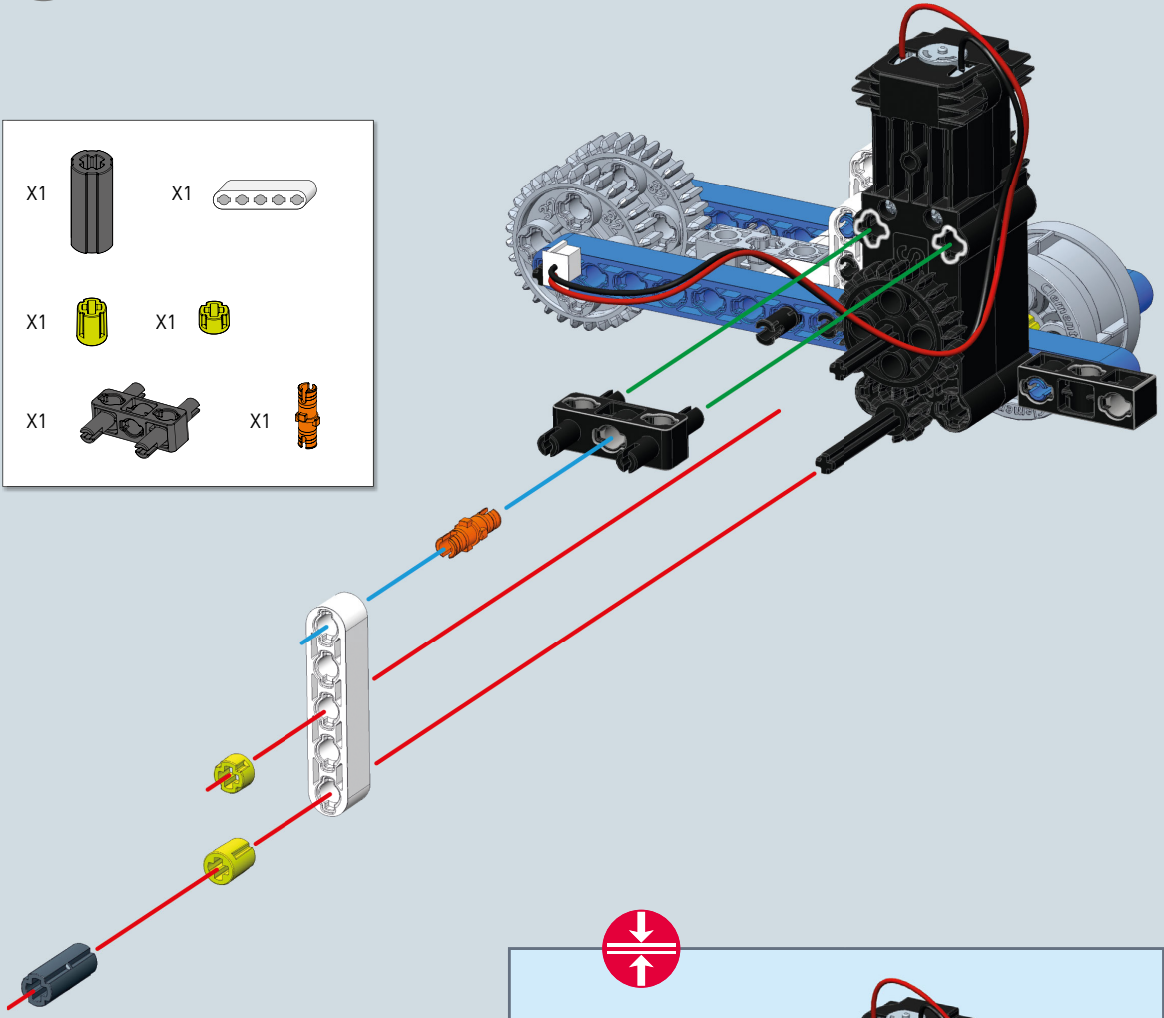
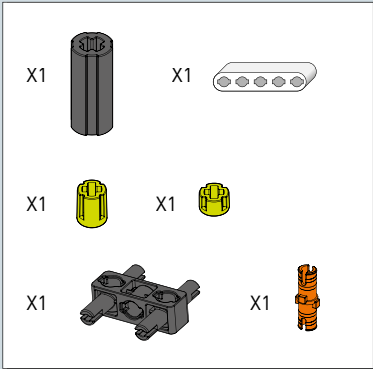


- | | | | |
|----|--|----|--|
| X1 | | X1 | |
| X1 | | X1 | |

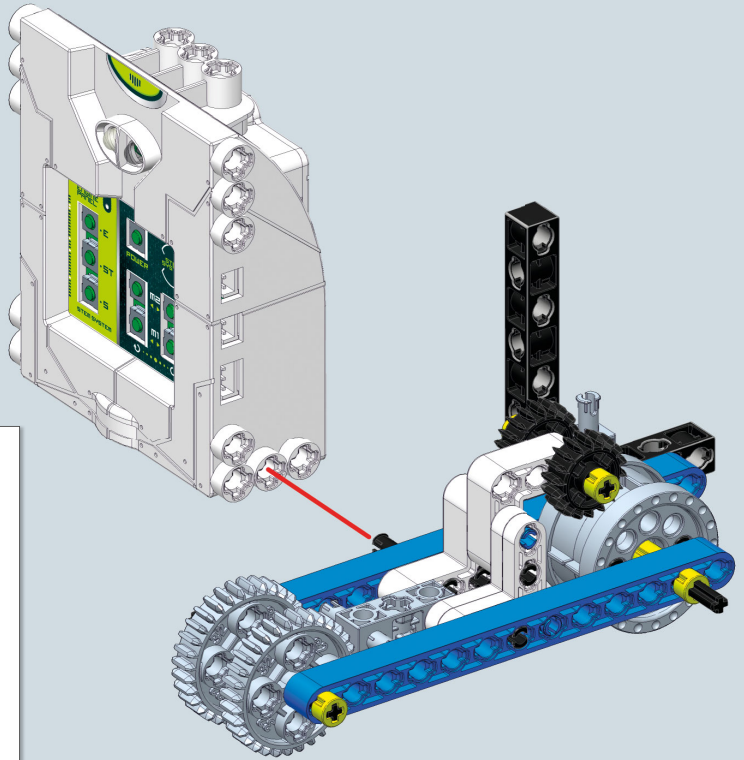


1:1 3,6 cm

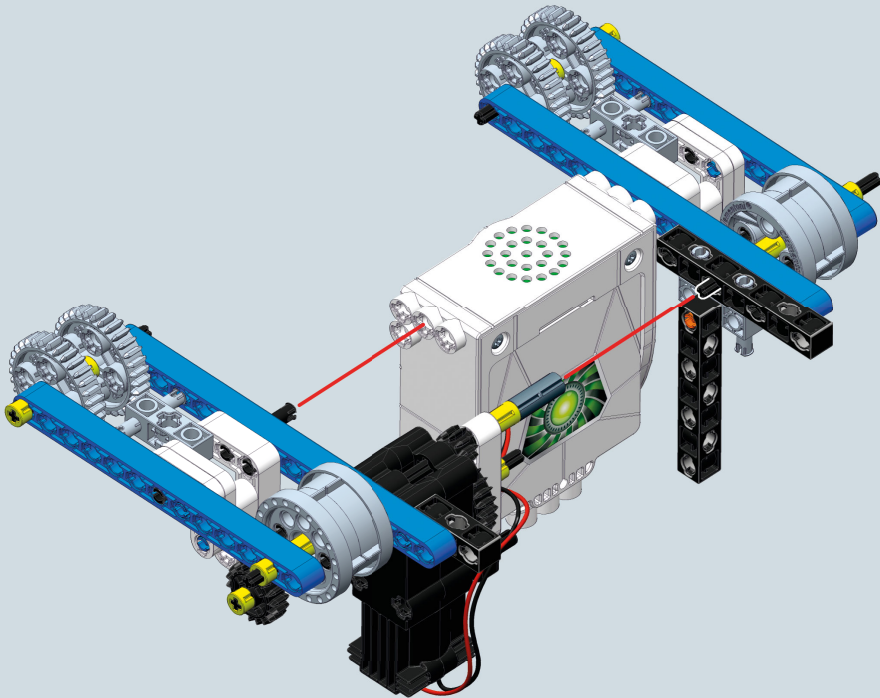
17



18

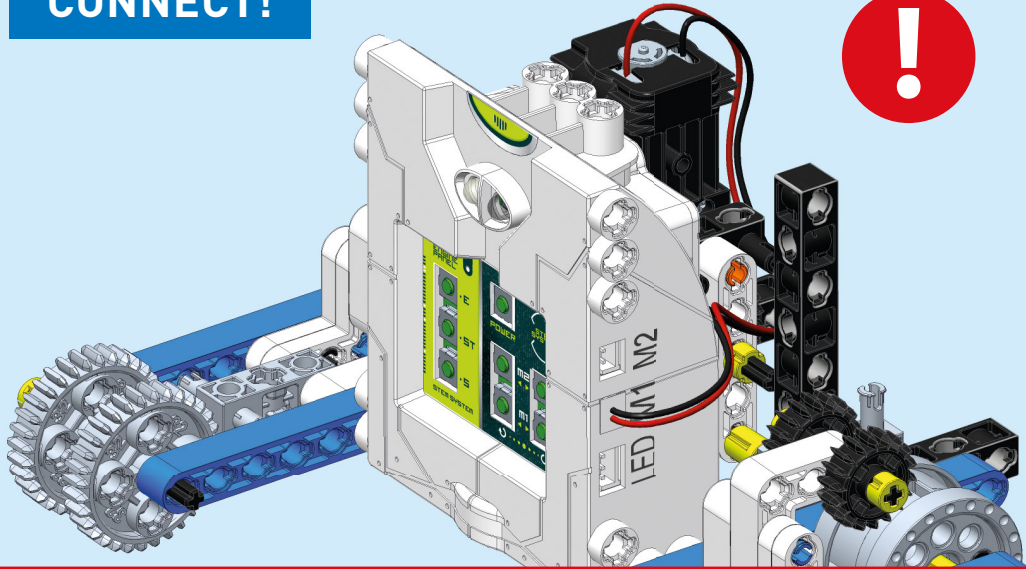


19

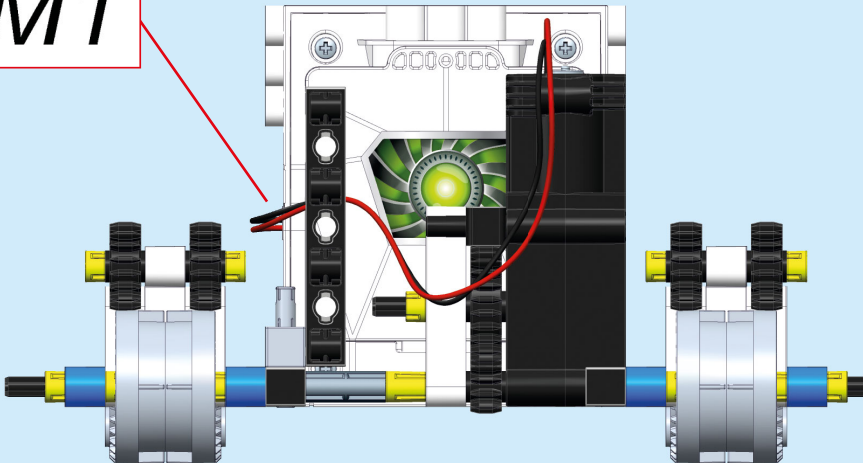


12

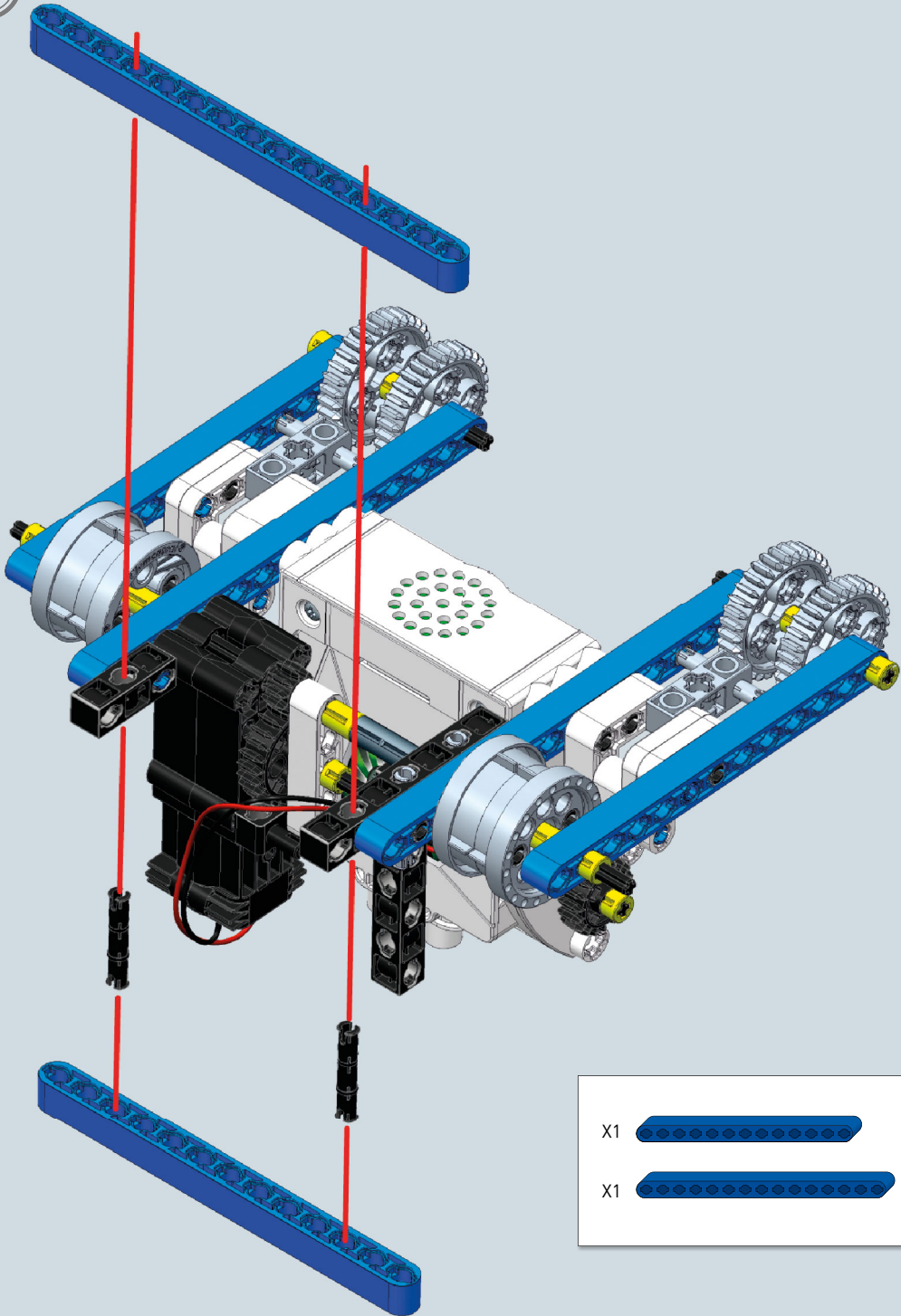
CONNECT!



M1

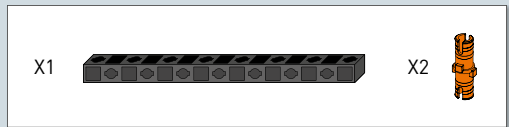
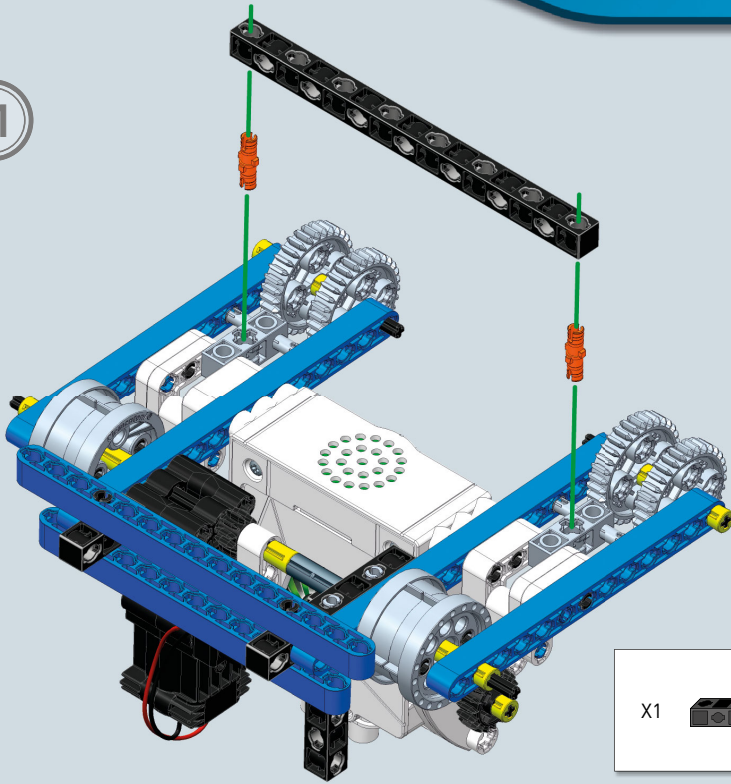


20

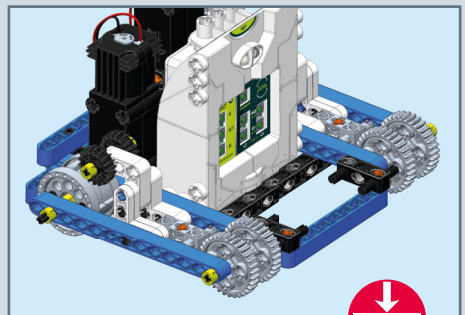
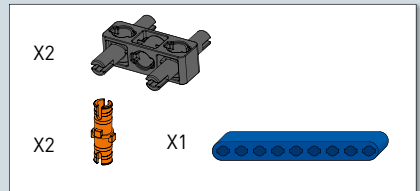
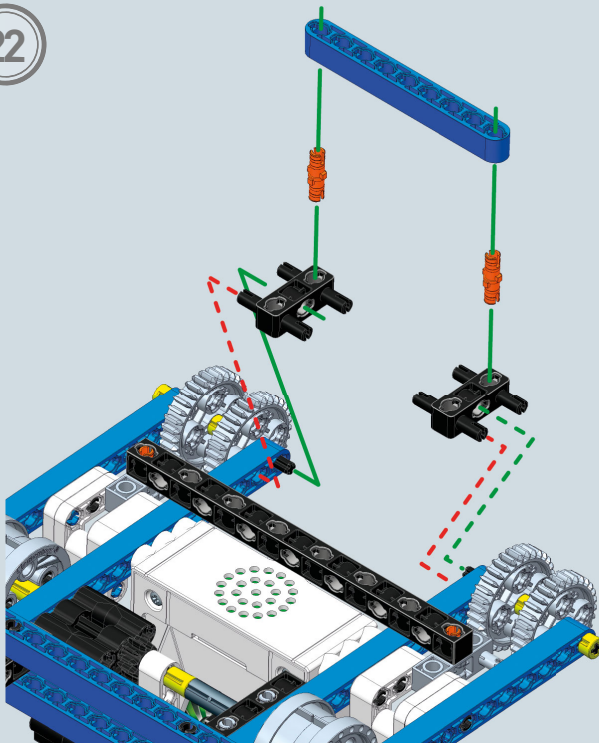


- | | | | |
|----|--|----|--|
| X1 | | X2 | |
| X1 | | | |

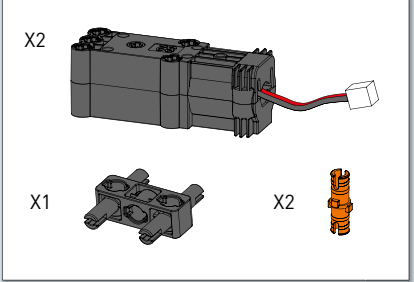
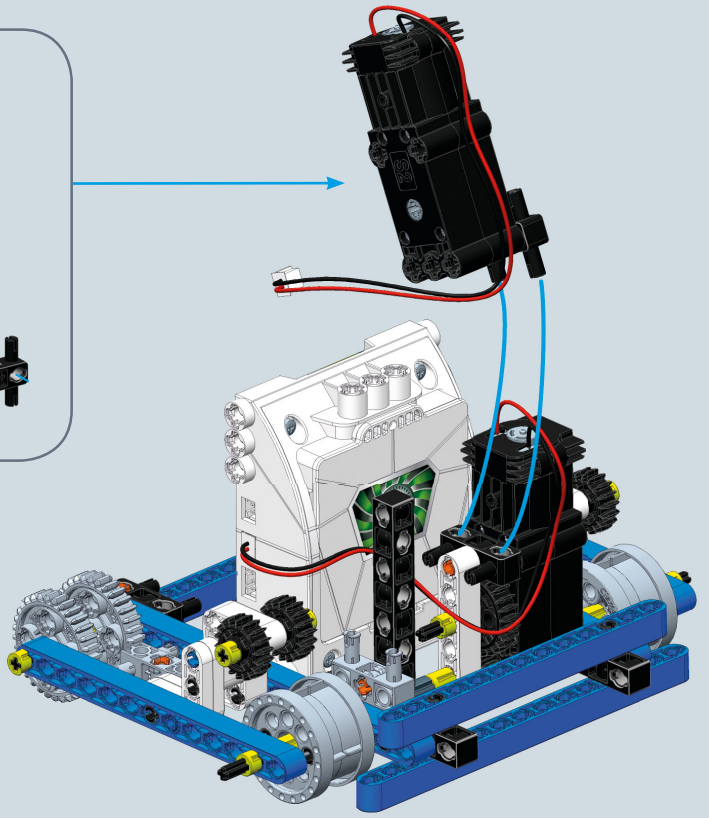
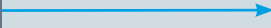
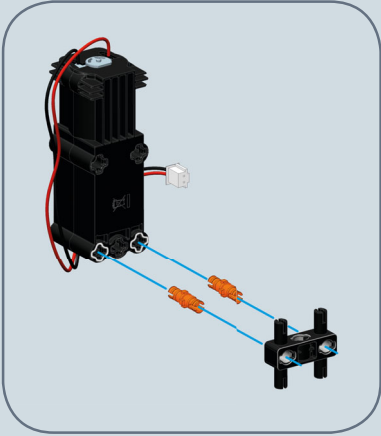
21



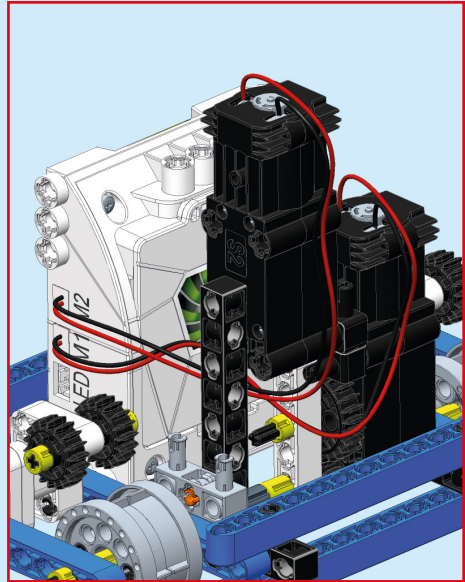
22



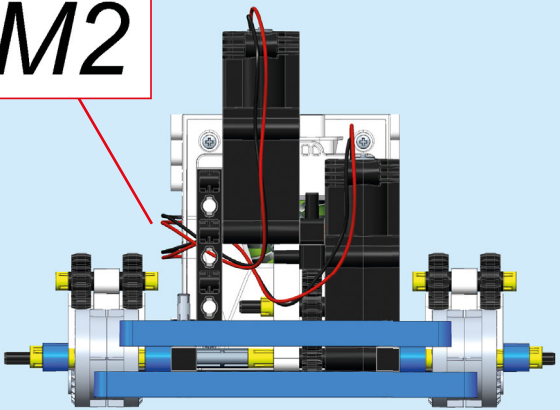
23



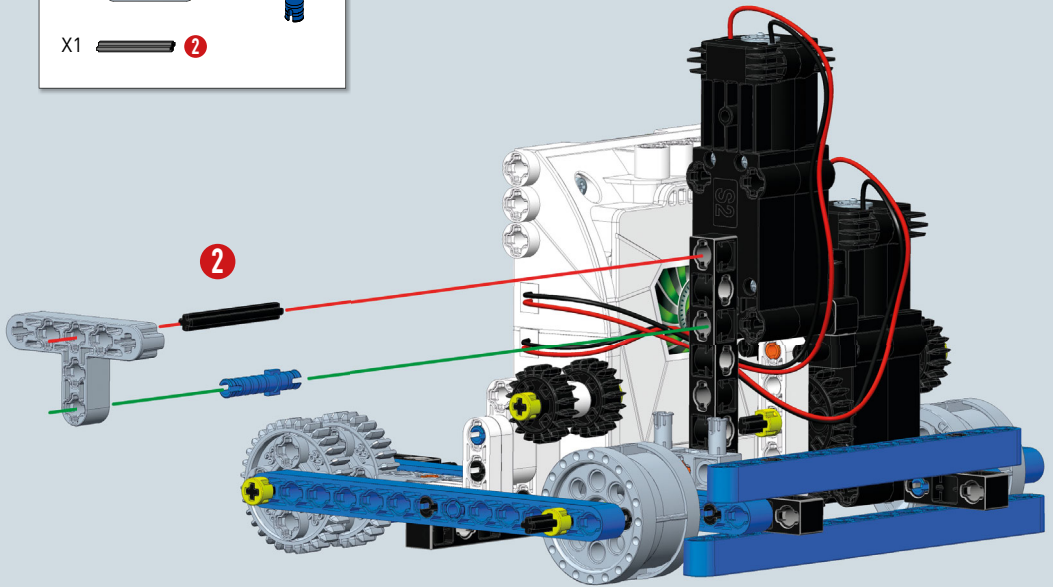
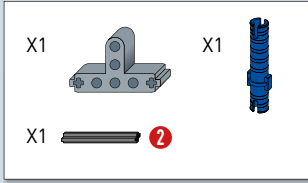
CONNECT!



M2

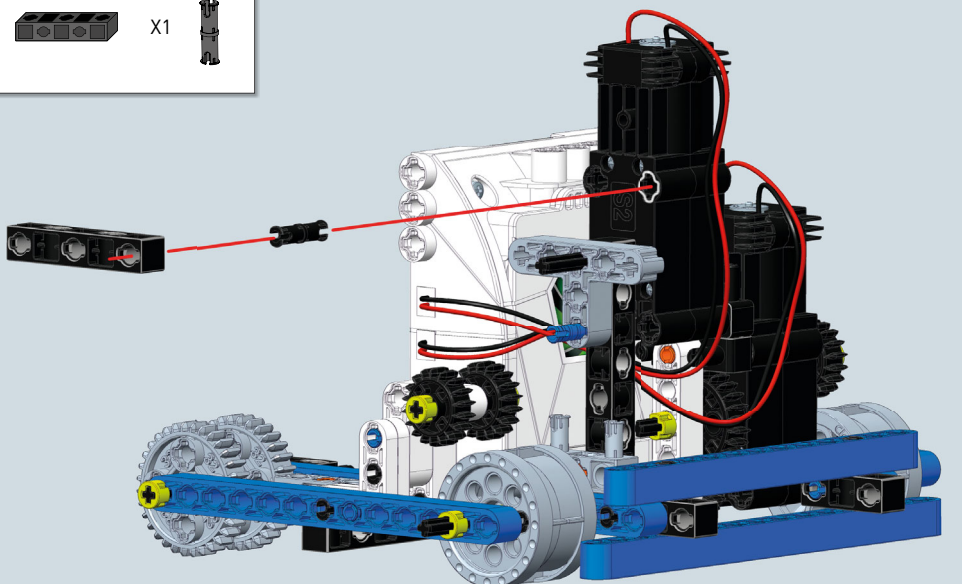
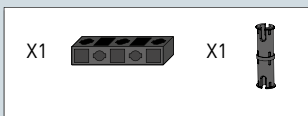





24

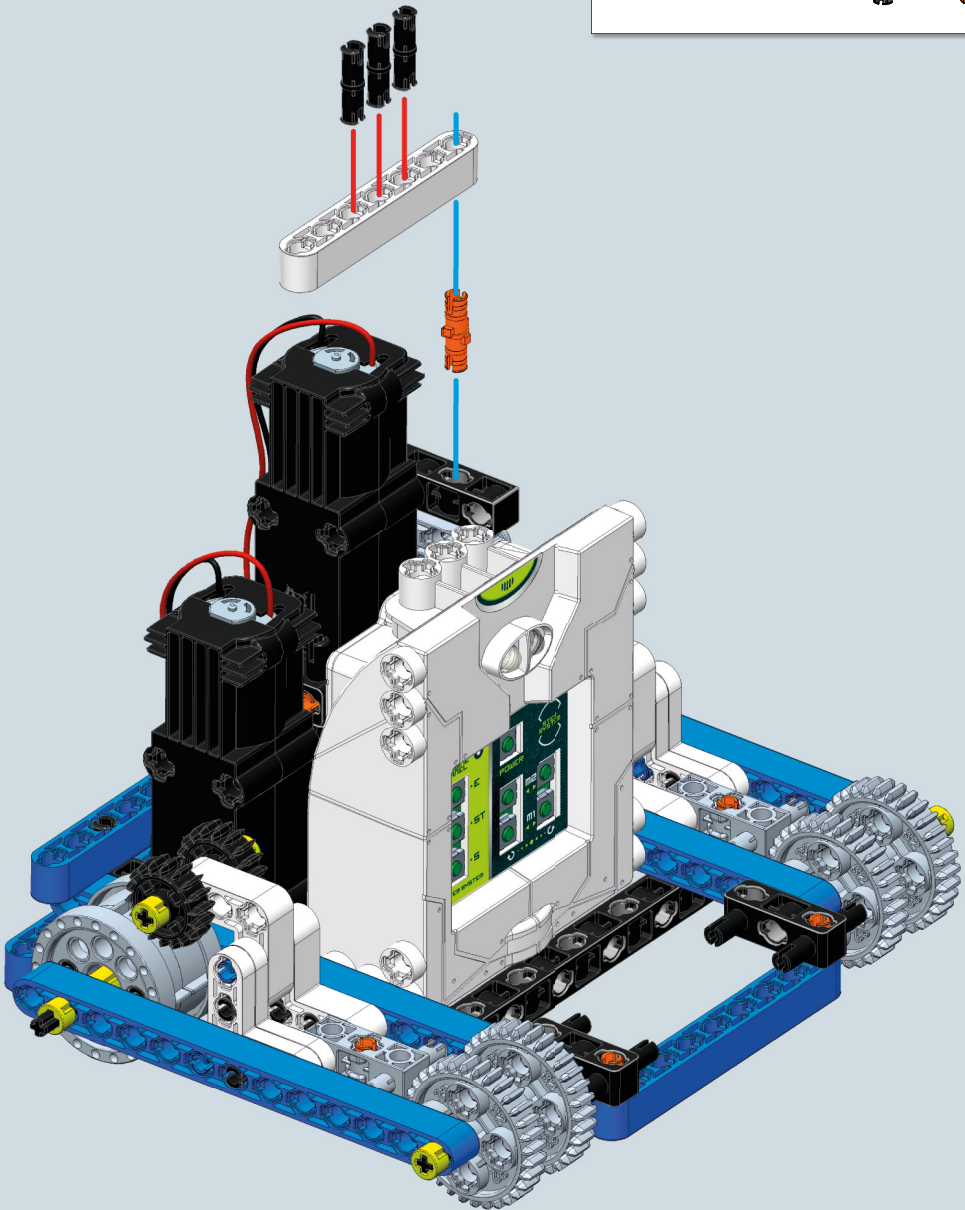


1:1 3,6 cm

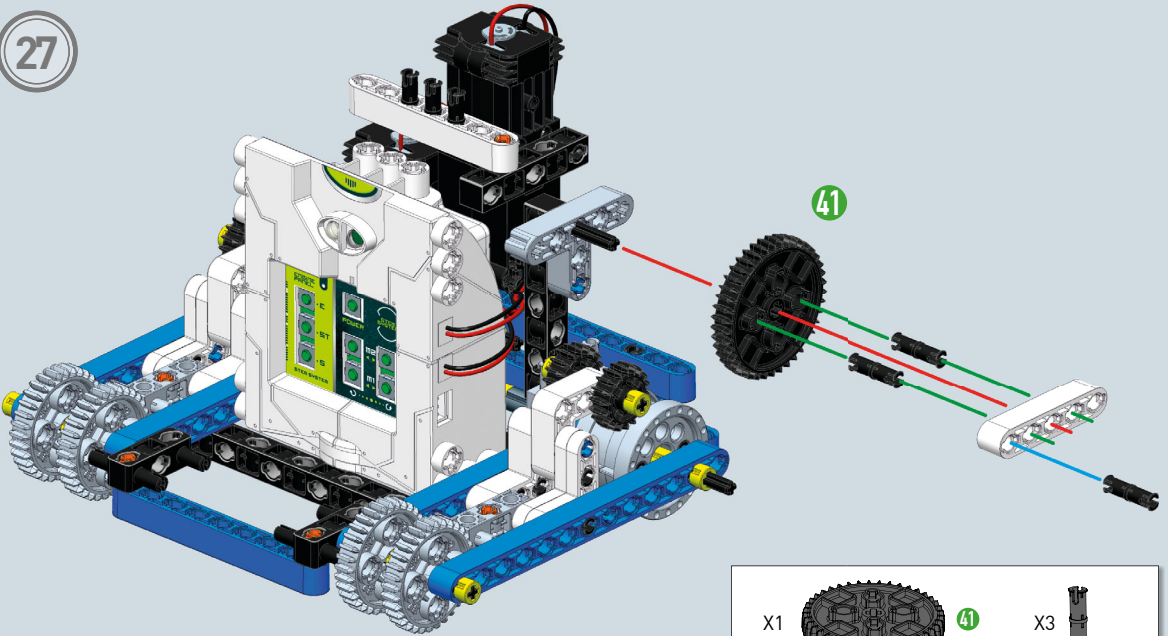
25



X1  X3  X1 

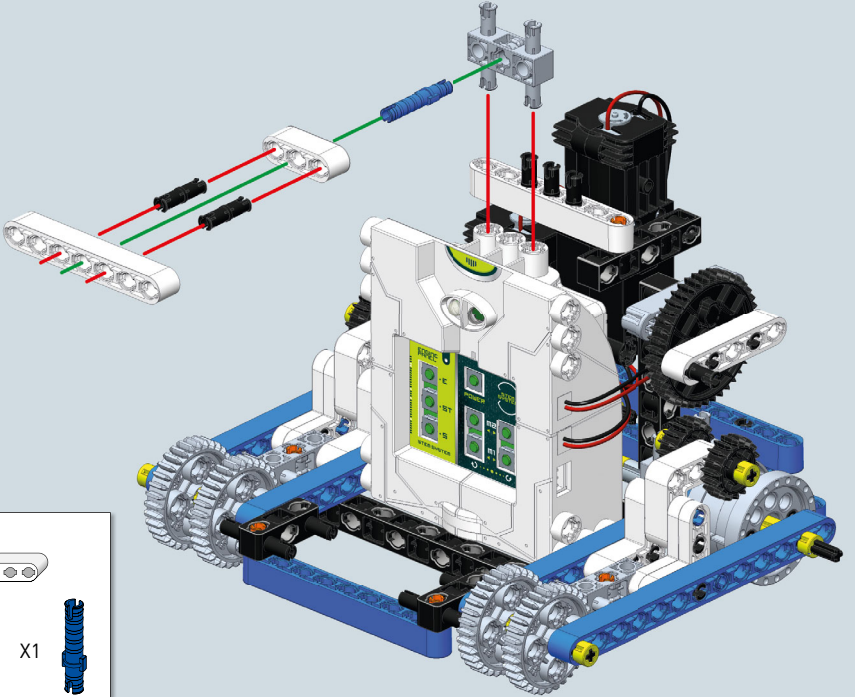


27



- X1 (41)
- X3
- X1

28



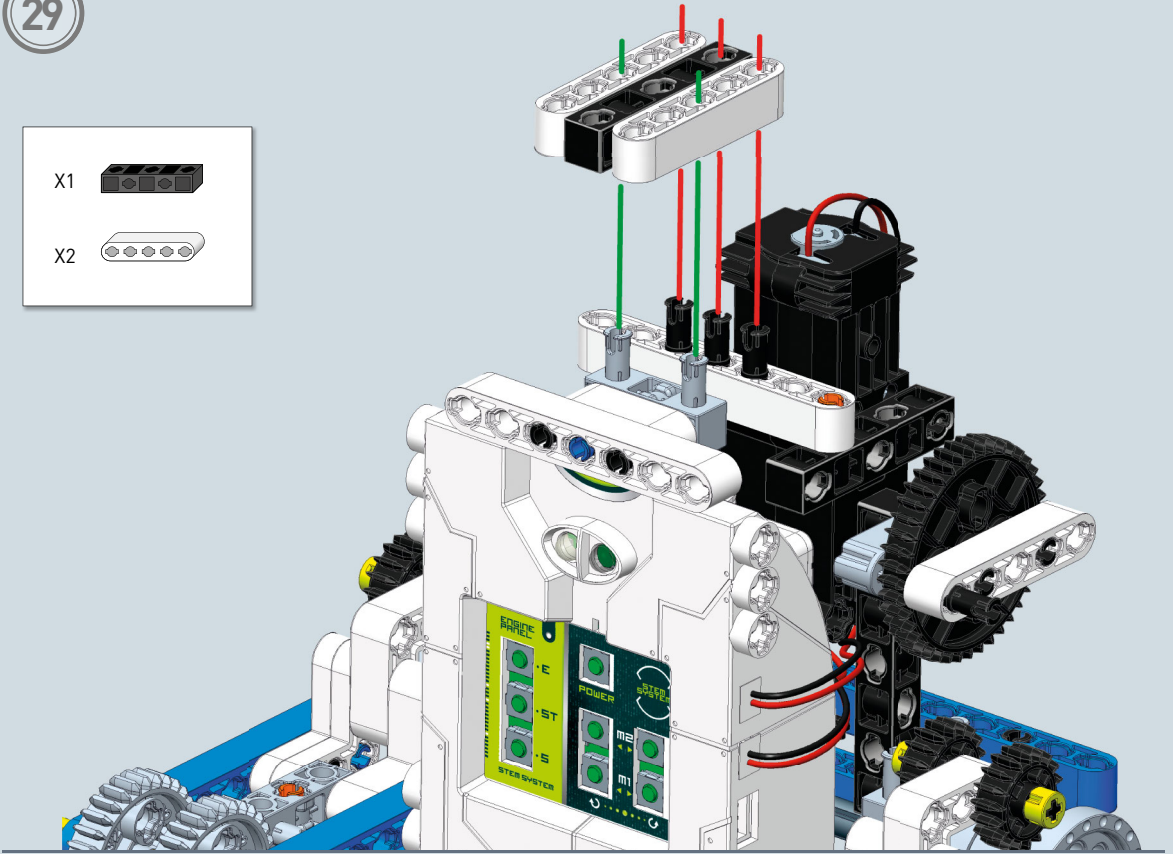
- X1
- X1
- X1
- X2
- X1

29

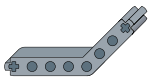
X1



X2



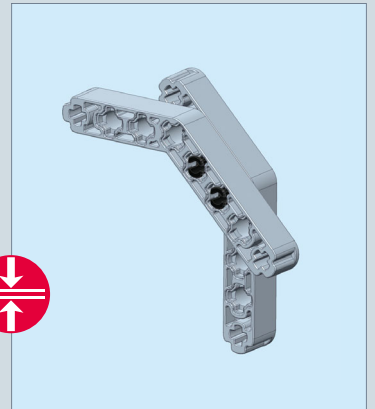
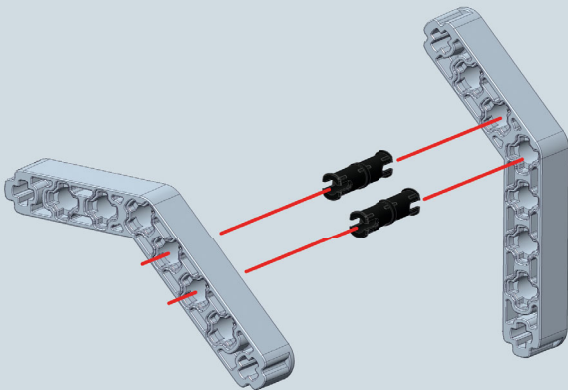
X2



X2

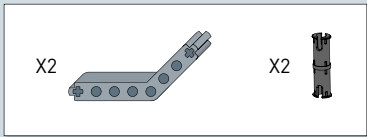
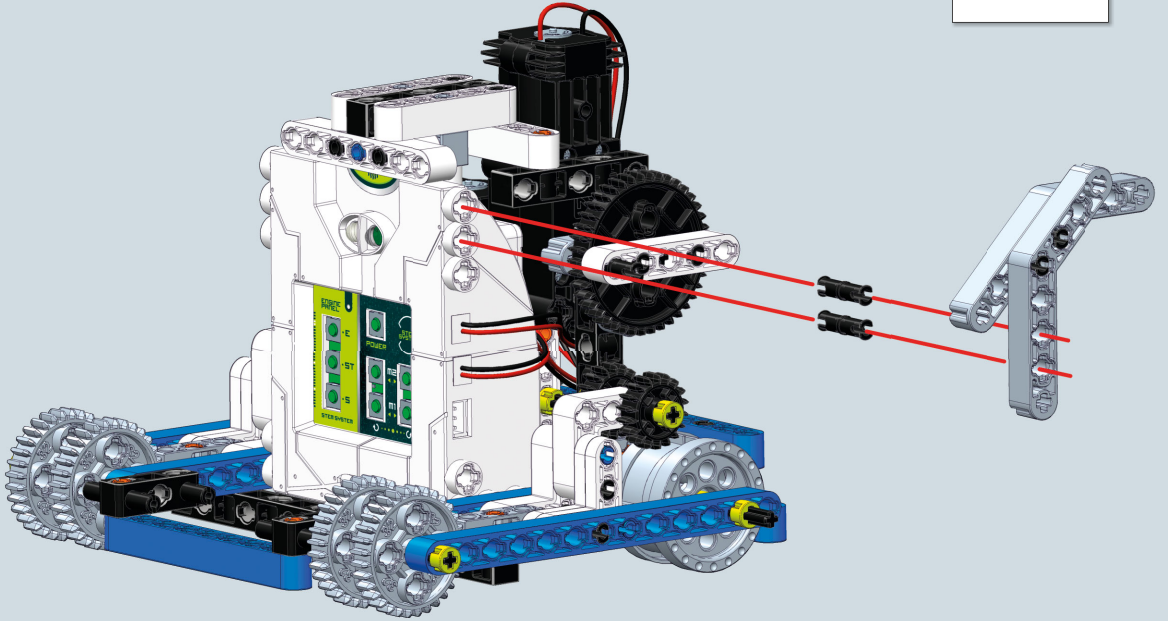
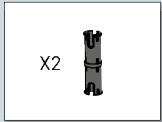


30

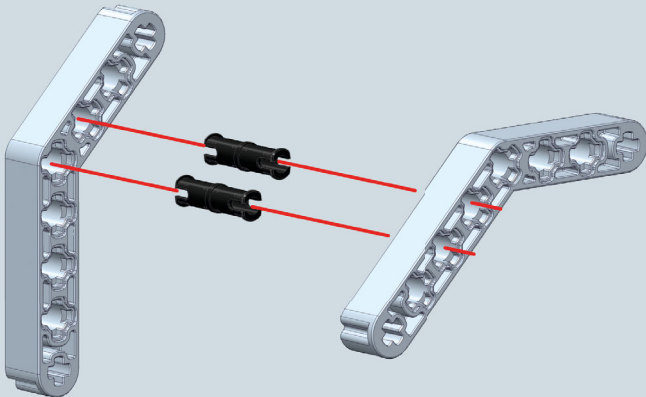


20

31

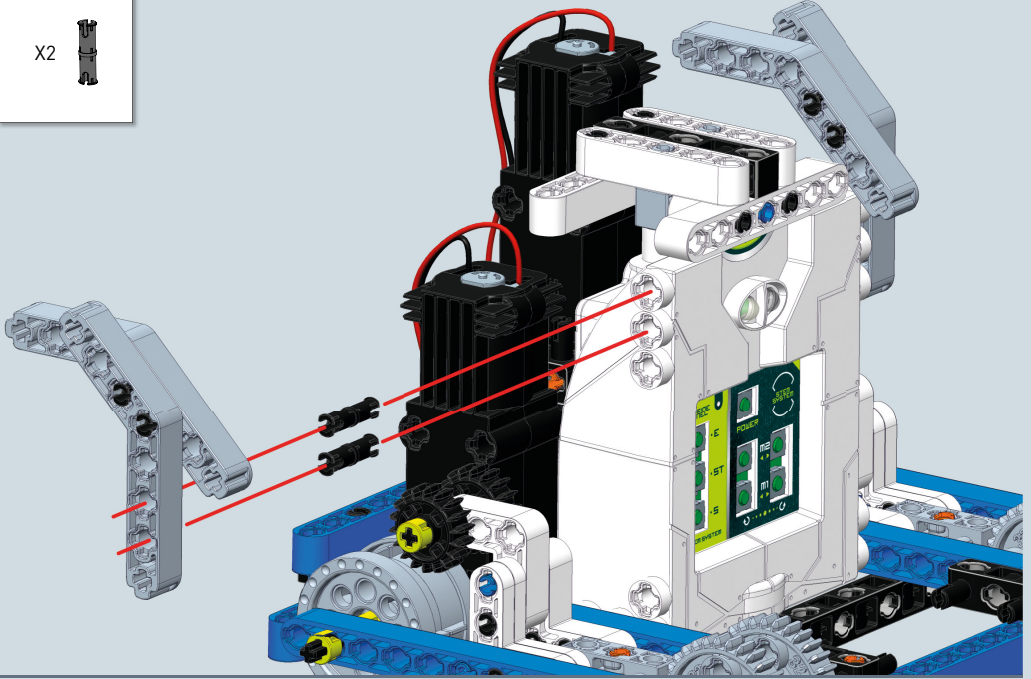
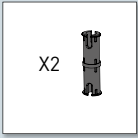


32

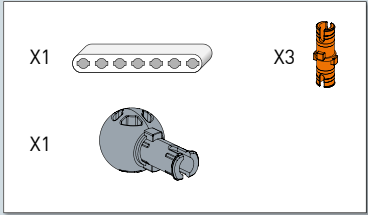


21

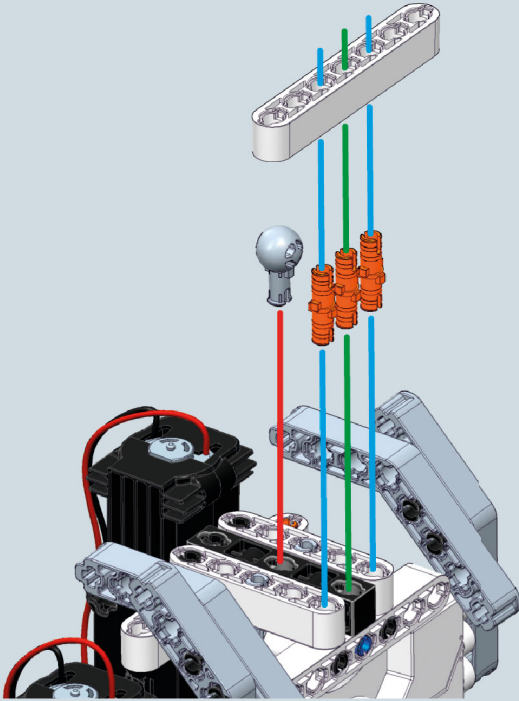
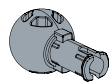
33



34





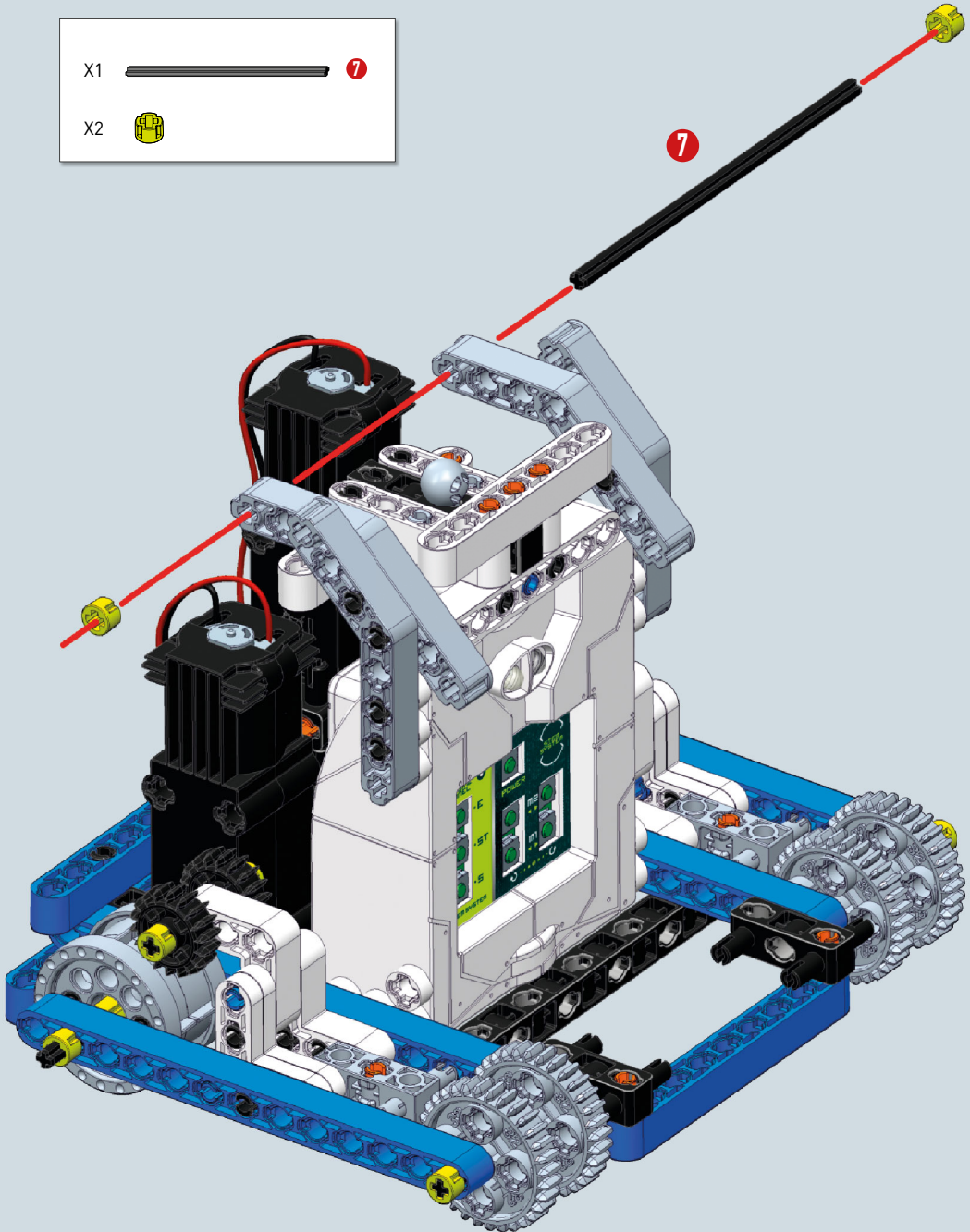
X1



22

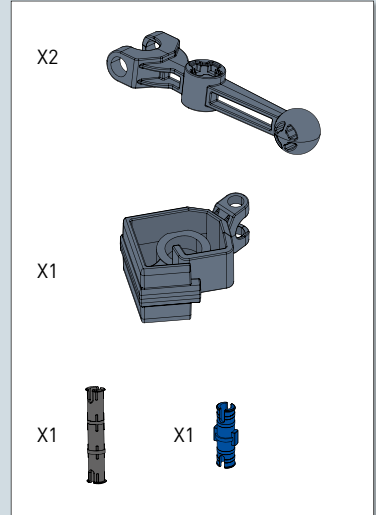
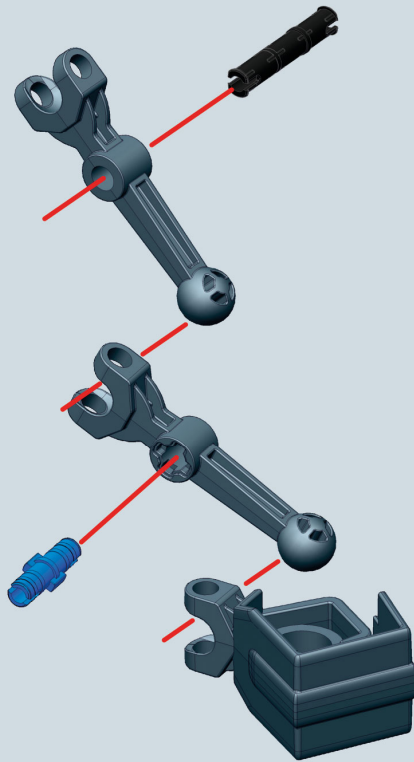
35

- X1  7
- X2 

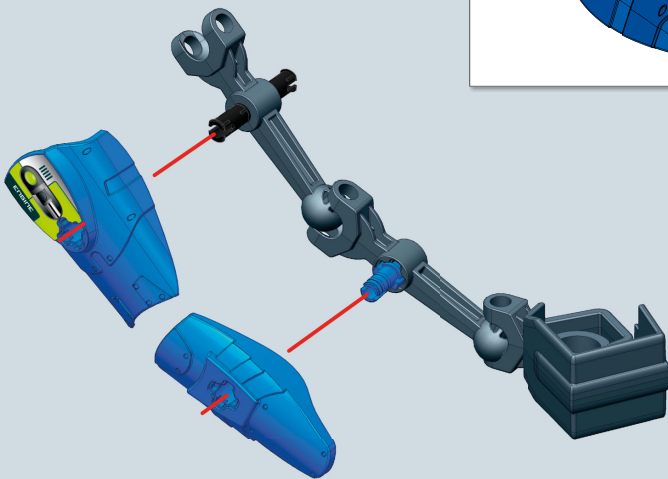
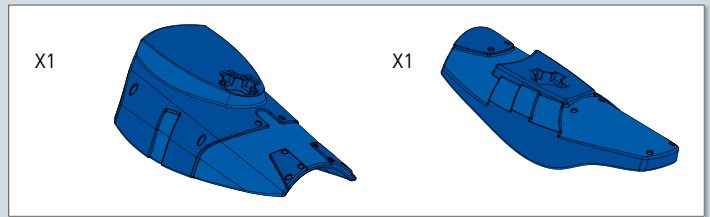


1:1  7 9,9 cm

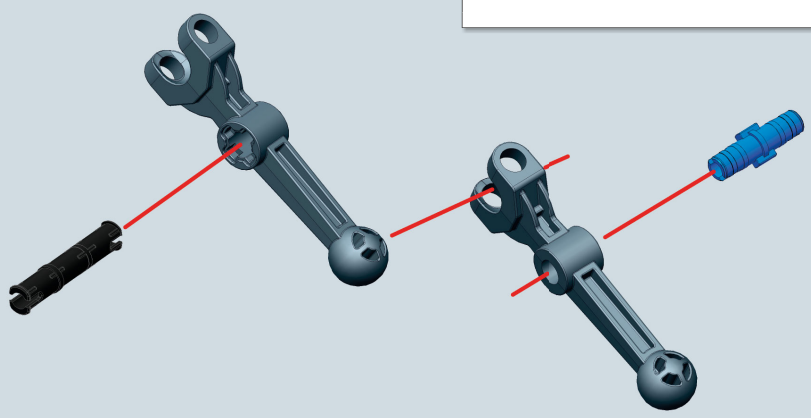
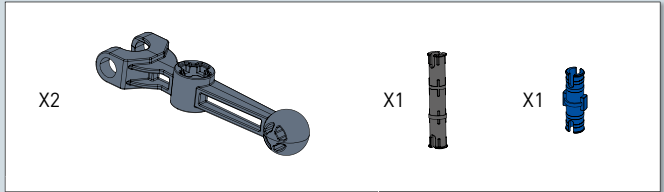
36



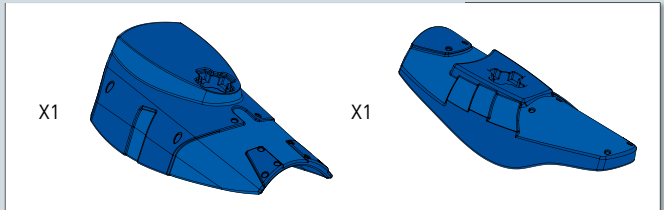
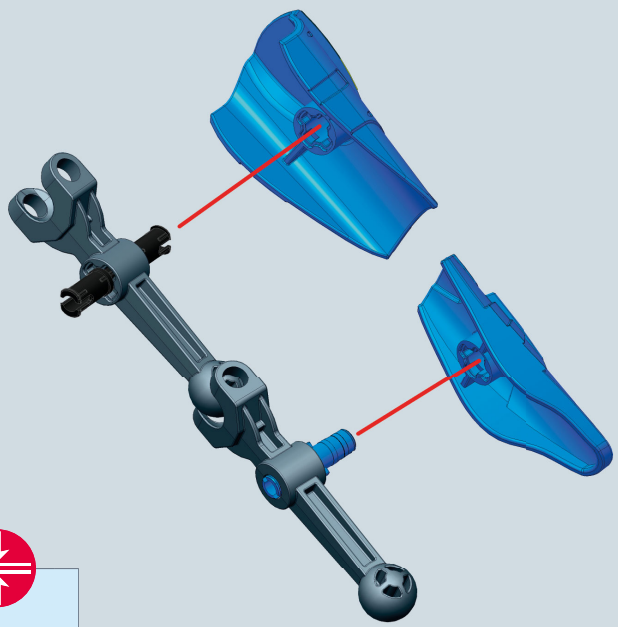
37



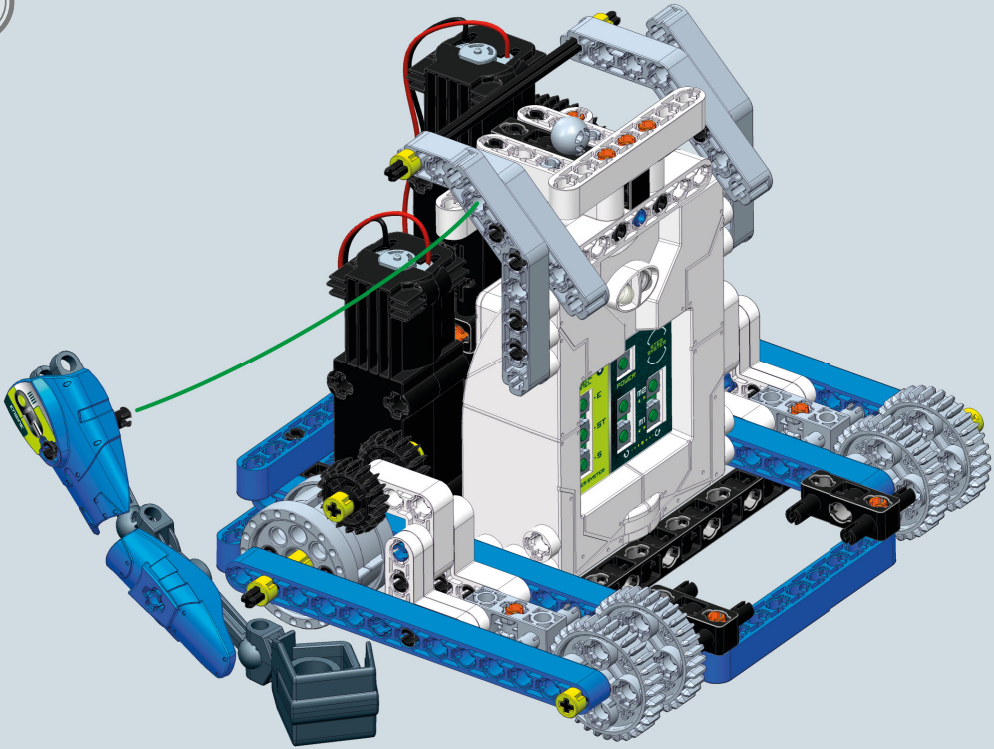
38



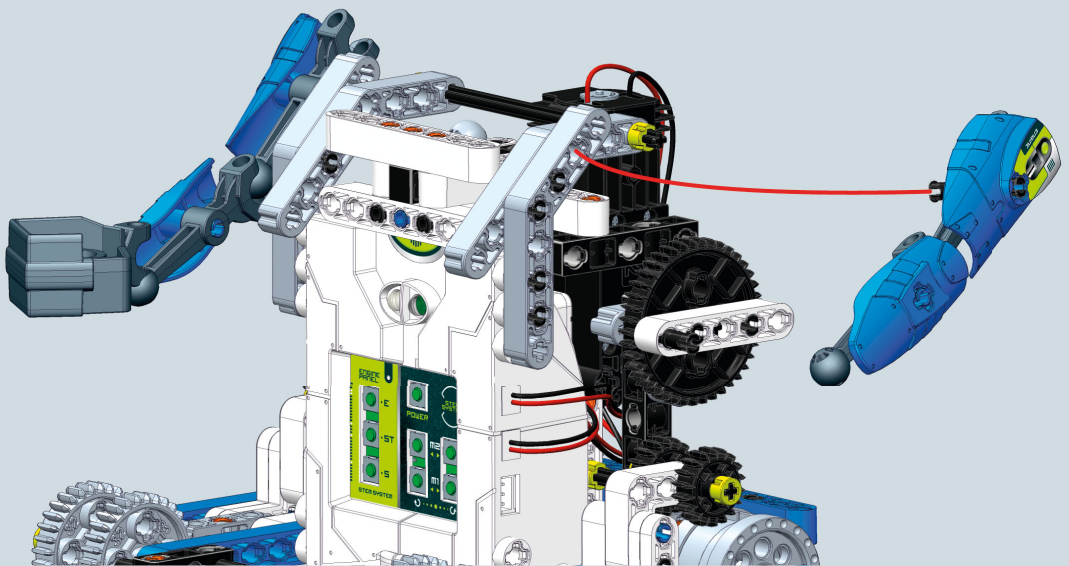
39



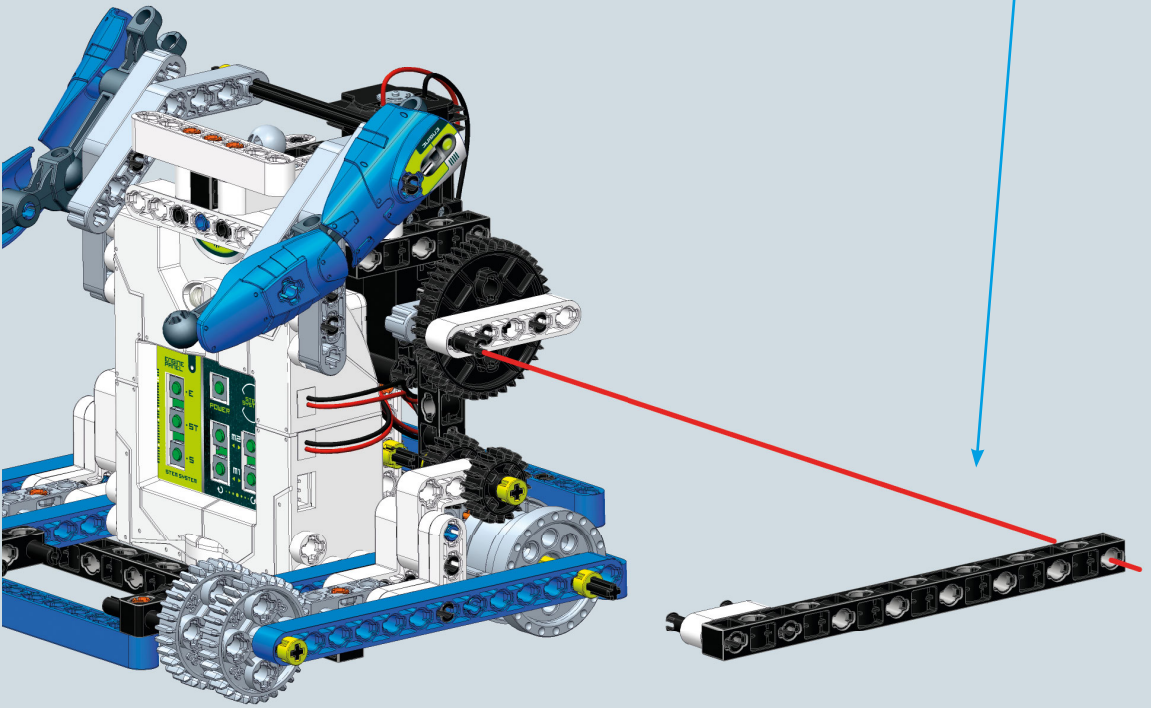
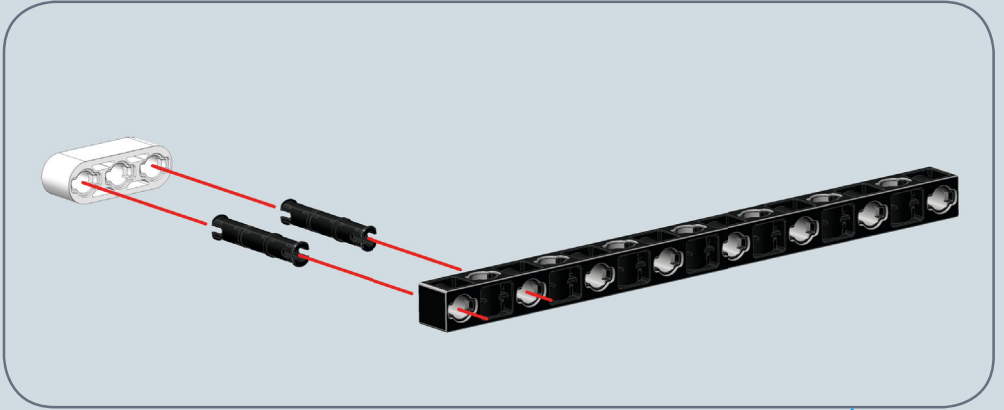
40






41

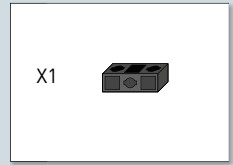
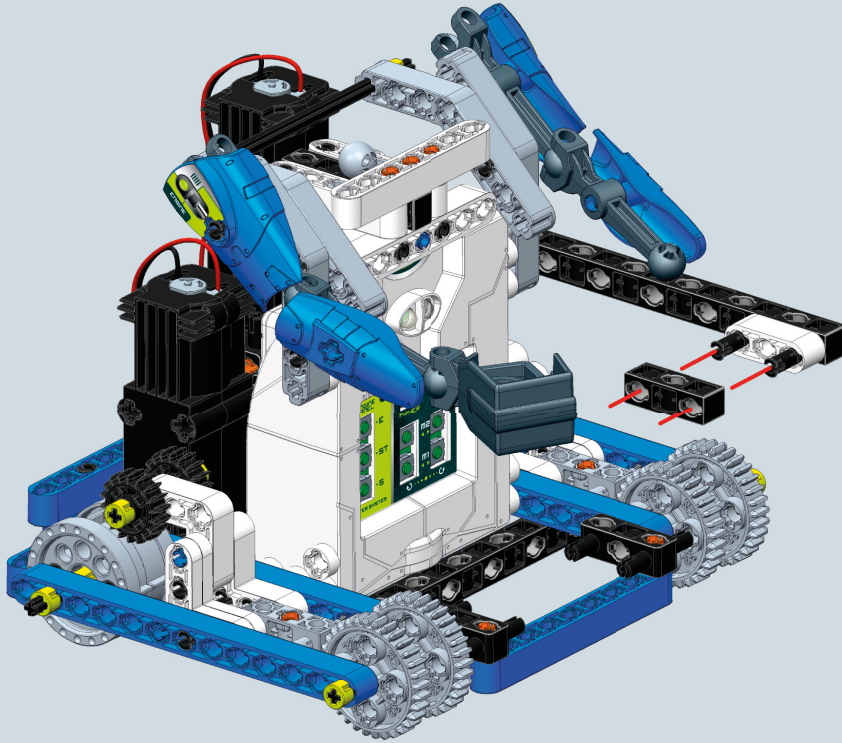


42

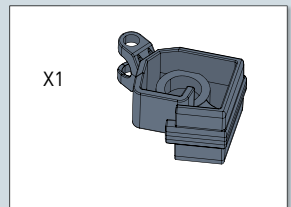
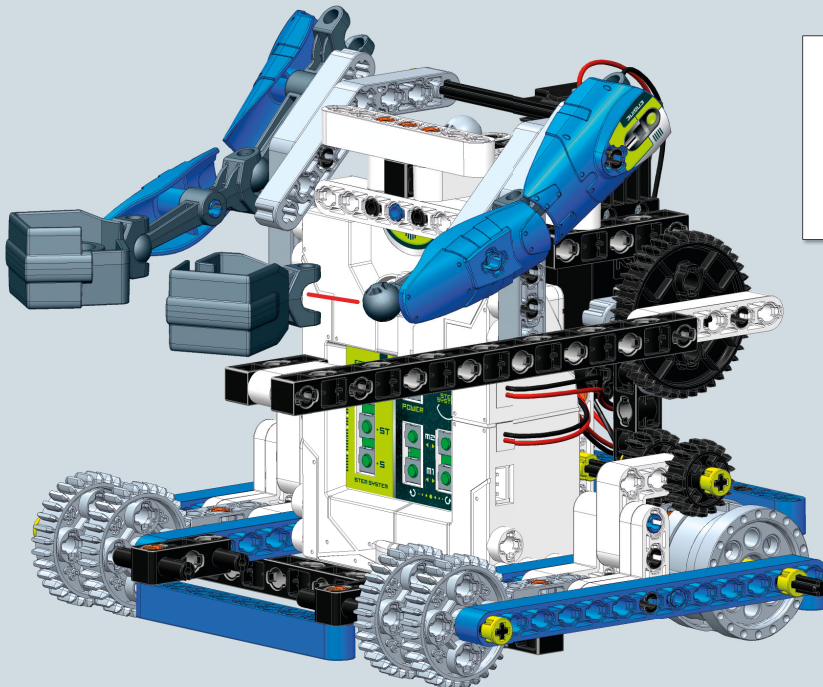


X1		X2		X1	
----	---	----	---	----	---

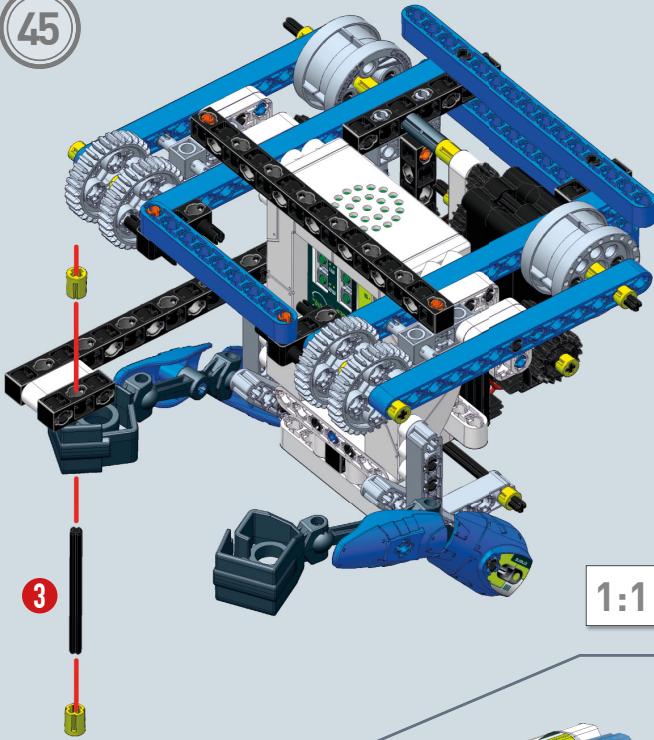
43



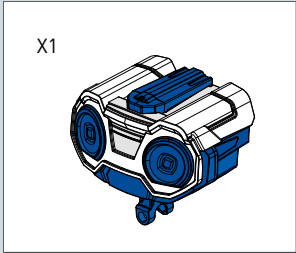
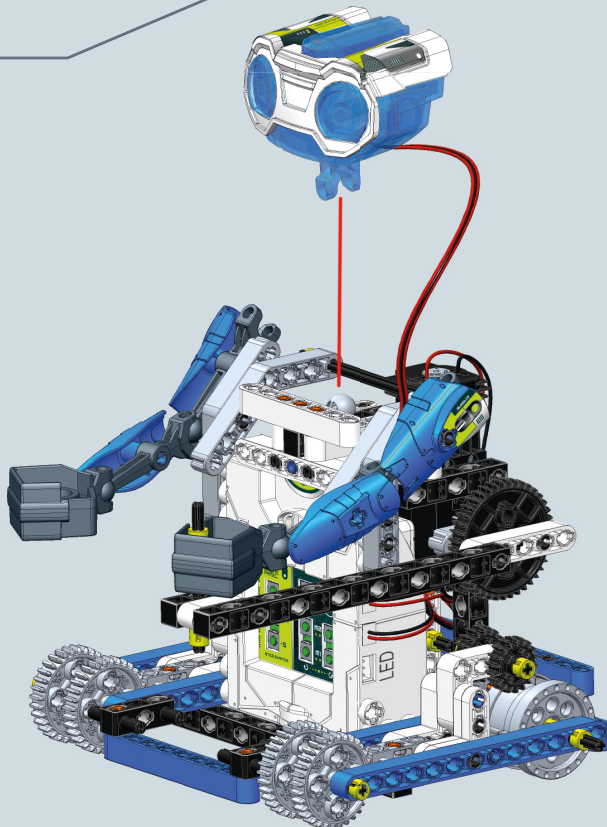
44



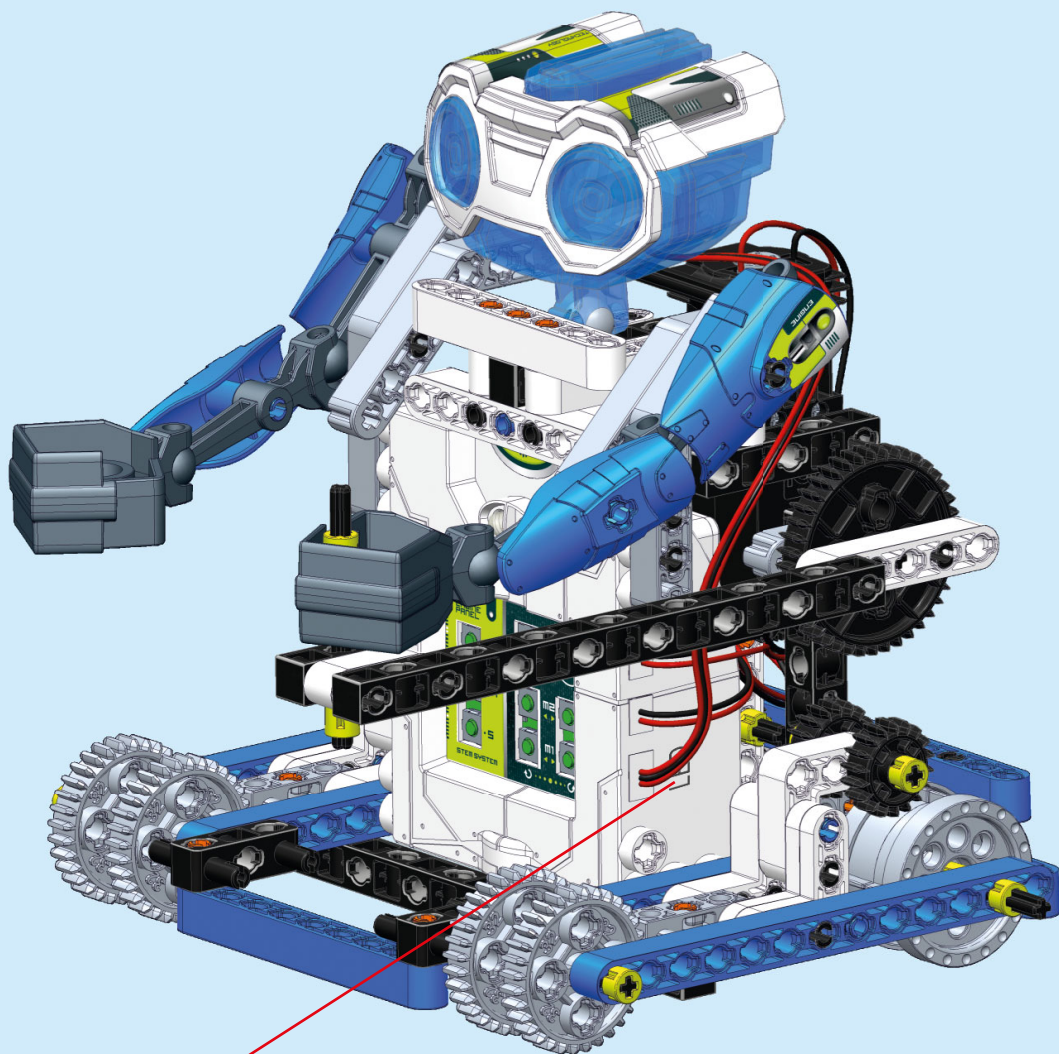
45



46

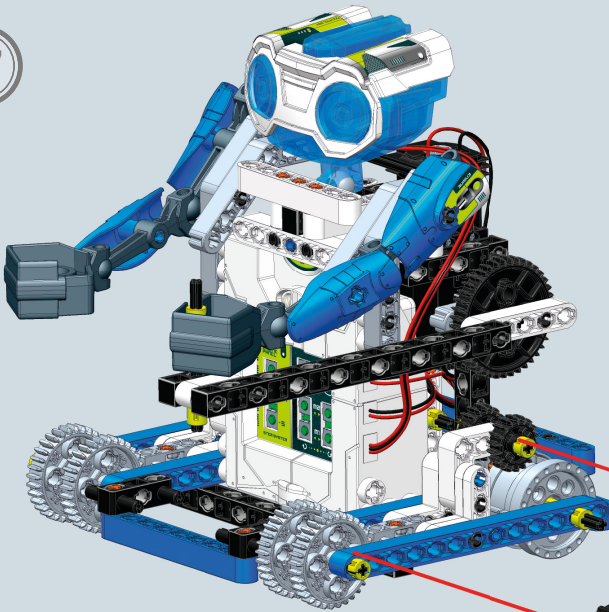


CONNECT!

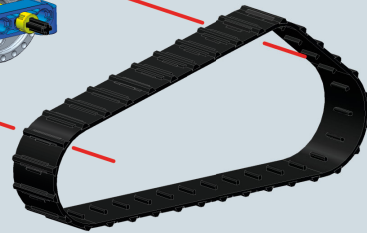
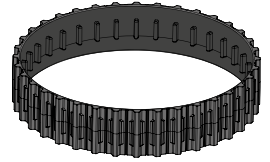


LED

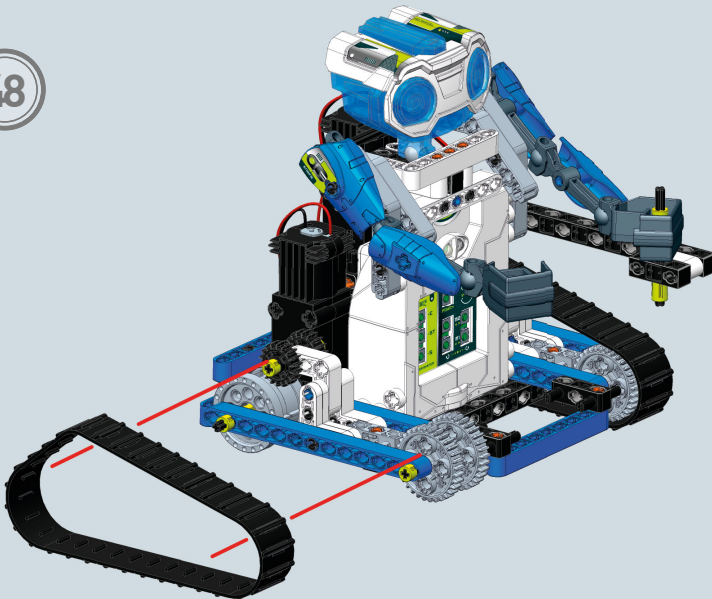
47



X1



48



X1

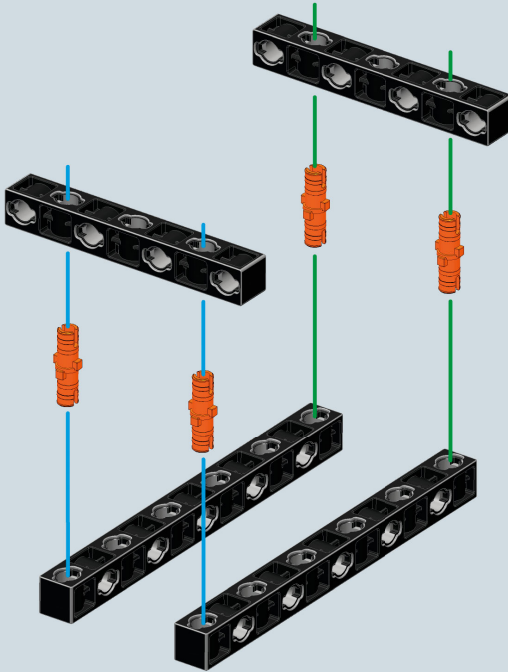


X1 - ELEVATOR

ACTIVITY 2



1

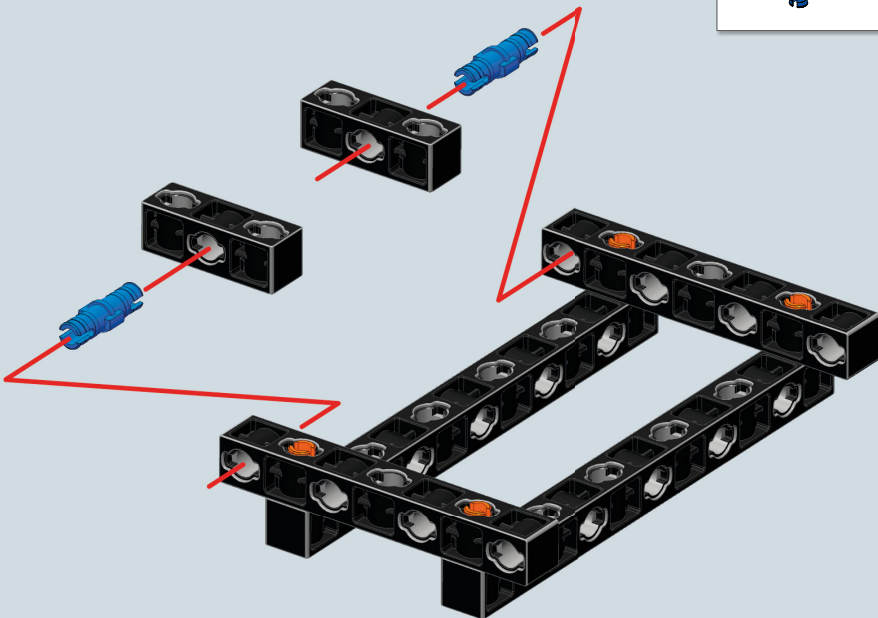


X2 

X2 

X4 

2

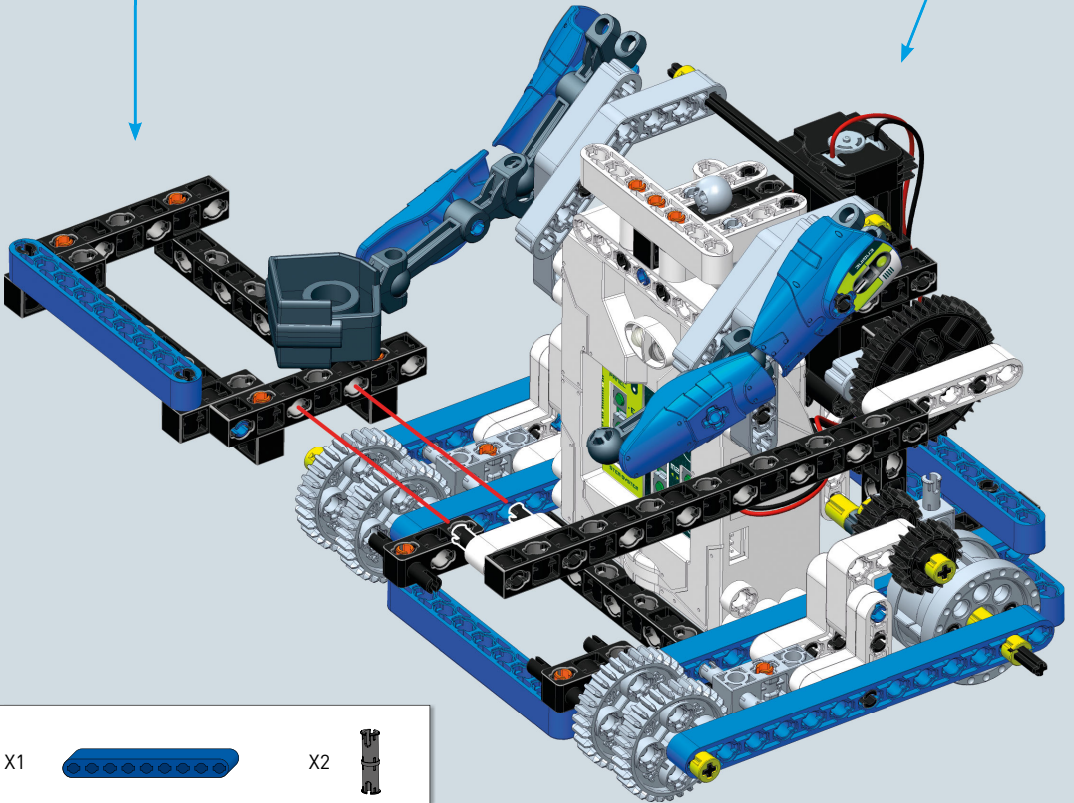
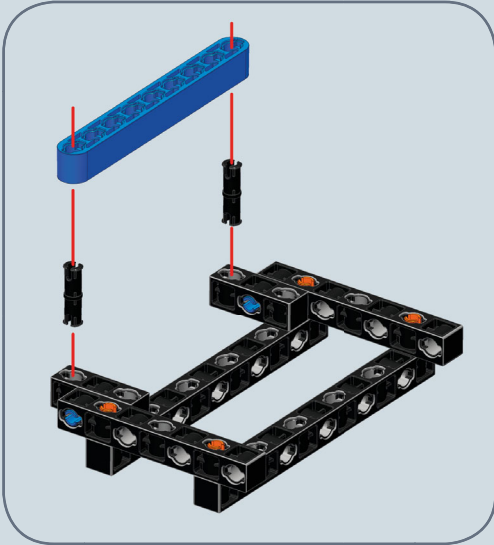



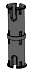
X2 

X2 

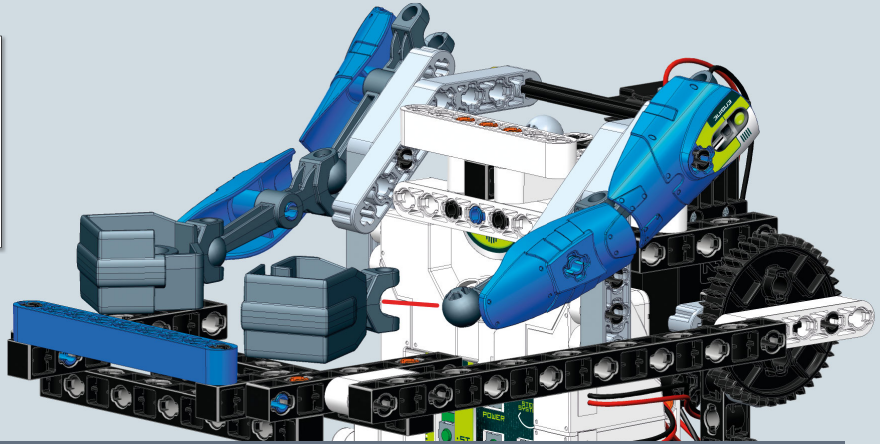
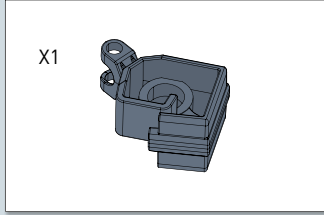
3

ACTIVITY 1 -STEP 44

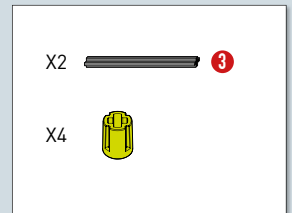
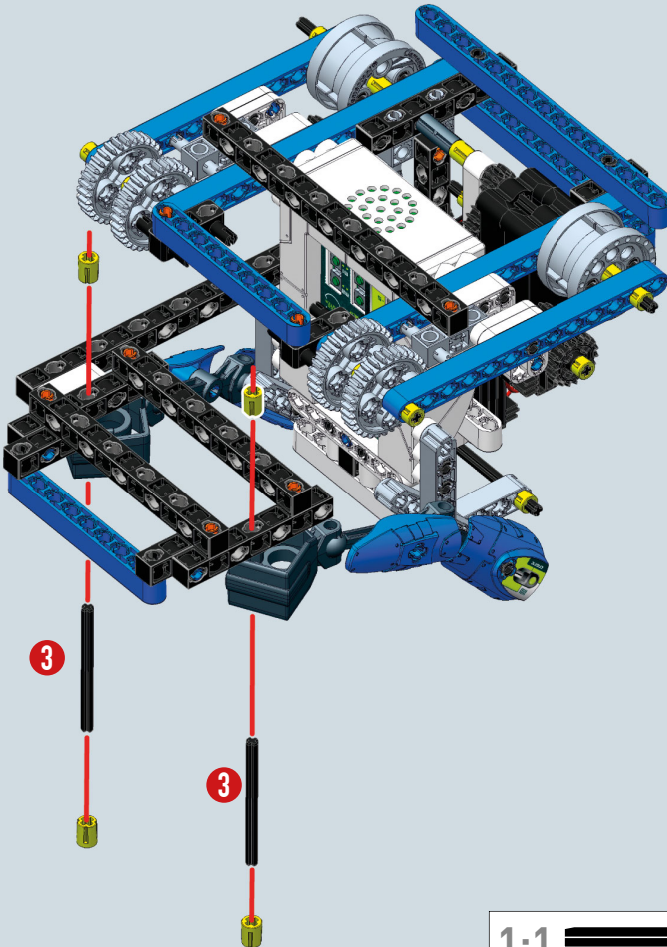


X1  X2 

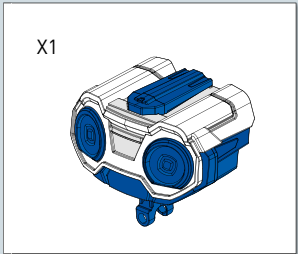
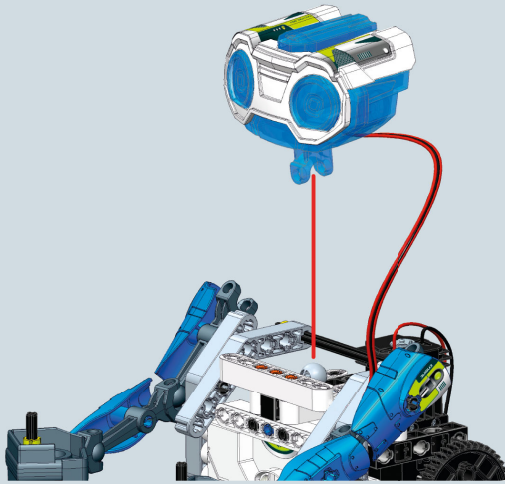
4



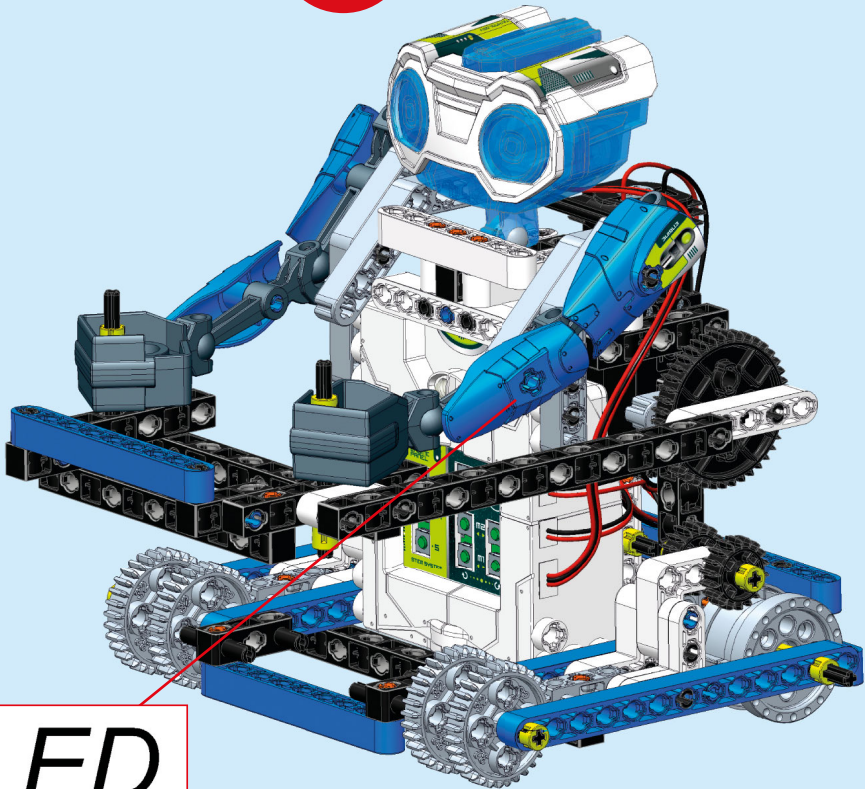
5



6

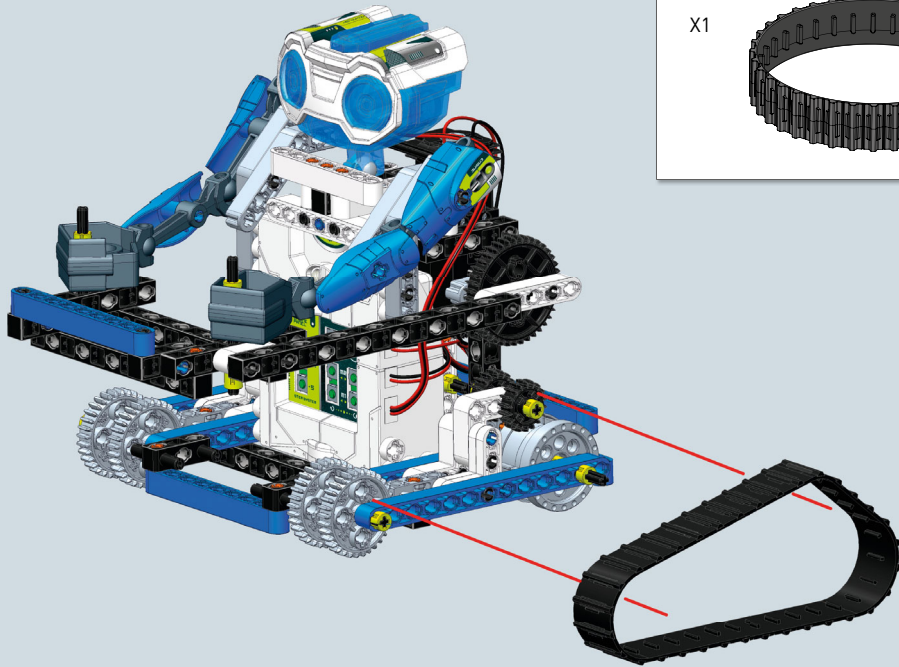


CONNECT!



LED

7



8

